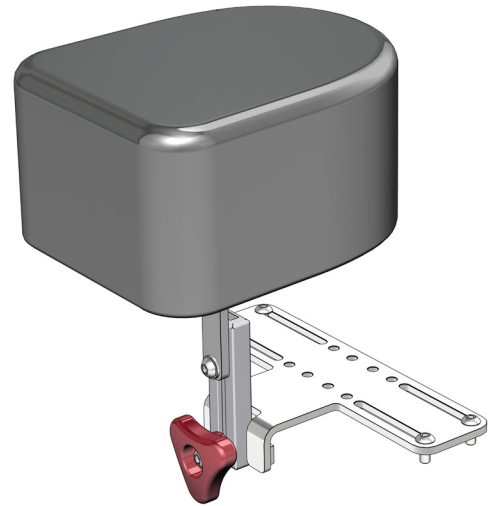




MOUNTING DESCRIPTION ABDUCTION BLOCK FOR NETTI ADAPTPRO

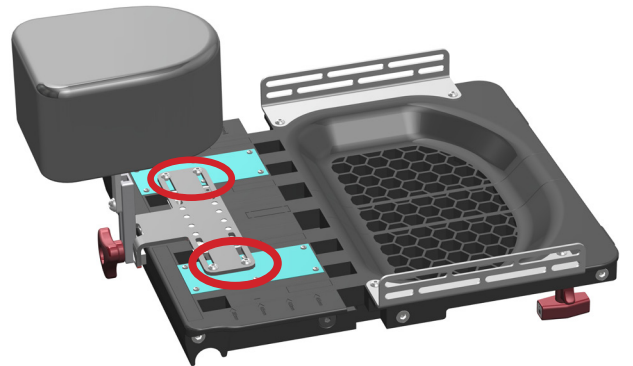
Netti Abduction block

Description	Item number	for chair models
Abduction block Small	92495	Netti AdaptPro
Abduction block Medium	92496	Netti AdaptPro
Abduction block Large	92497	Netti AdaptPro
Attachment plate for all:	93866	



The AdaptPro seat plate is prepared for fixing Abduction block attachment plate direct to the plate with 4 pc M5 x 10 hex socket screws.

Depending on the seat width, the bracket will fit between the velcro bands for fixing the seat cushion or it will cover part of the velcro.

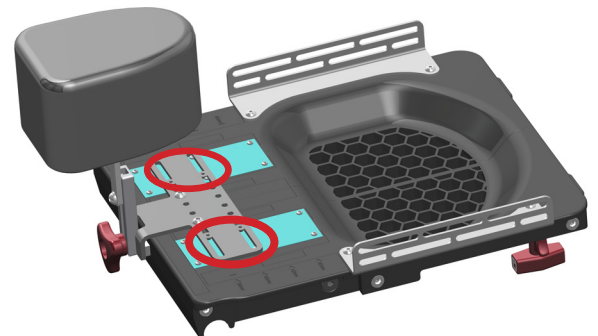


Seat width 400 mm

Please use the 3M velcro in the abduction block kit to add velcro on top of the bracket - if the bracket is covering some of the velcro.

See the red ellipses.

This will make sure you have the original size velcro to hold the cushion.



Seat width 350 mm