

Date _____
 Invoice address _____

Customer code C- _____
 Contact person _____
 Reference _____
 Other delivery address _____

Invoice address = delivery address

Quote



The Java Back's patented biomechanical design provides the flexibility to easily and independently optimize pelvic support and balance the trunk for excellent support, comfort and mobility.

- 3 back heights (360, 460, 560 mm)
- 2 depths (80, 150 mm)



Target group:

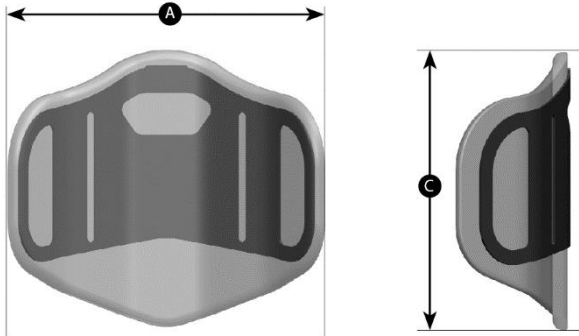
- Low to medium postural asymmetry
- Substantial need for help with balancing the trunk, support required

Delivery time for Ride Designs products is 4-15 workdays.

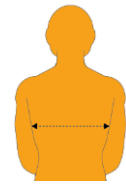
		Article number	Price in €
<input checked="" type="checkbox"/>	Mounting hardware for round back tubes (diameter 19-25.4 mm)		Included
<input type="checkbox"/>	Mounting hardware for square back tubes (e.g. Netti III, Netti 4U CED, Netti 4U CE Plus). Included if the back is ordered together with a Netti wheelchair.	2 x 89509	Total 138,-

<input type="checkbox"/>	Extra outer cover Specify width and height if ordered separately W: _____ H: _____	CJB-	280,-
--------------------------	--	------	-------

Ride® Java® Back Regular

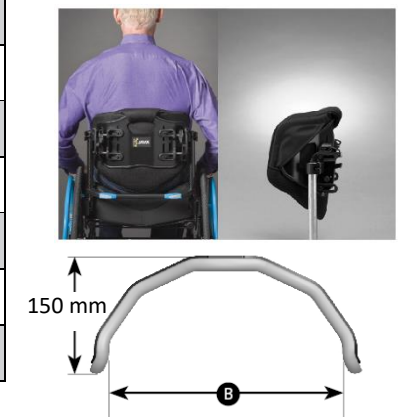
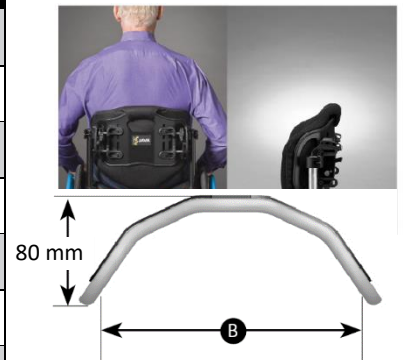


How to find the correct back width?

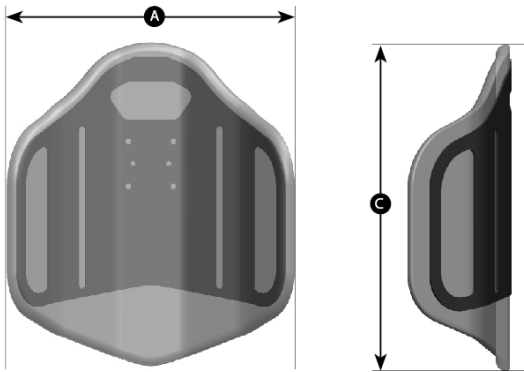


We recommend:
Width inside foam = Chest width + 50-80 mm depending on the user

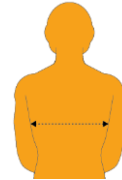
	B: Width inside foam	Fits wheelchair widths	A: Overall back width	C: Back height	Article number	Price in €
HEIGHT: REGULAR 360 mm – DEPTH: REGULAR (80 mm)						
<input type="checkbox"/>	330 mm	350-430 mm	360 mm	360 mm	JB-1414	1.094,-
<input type="checkbox"/>	340 mm	380-450 mm	380 mm	360 mm	JB-1514	1.094,-
<input type="checkbox"/>	370 mm	400-450 mm	410 mm	360 mm	JB-1614	1.094,-
<input type="checkbox"/>	390 mm	430-500 mm	430 mm	360 mm	JB-1714	1.094,-
<input type="checkbox"/>	420 mm	450-500mm	460 mm	360 mm	JB-1814	1.094,-
<input type="checkbox"/>	440 mm	500-550 mm	480 mm	360 mm	JB-1914	1.094,-
<input type="checkbox"/>	470 mm	500-550 mm	510 mm	360 mm	JB-2014	1.094,-
HEIGHT: REGULAR 360 mm – DEPTH: DEEP (150 mm)						
<input type="checkbox"/>	330 mm	350-430 mm	360 mm	360 mm	JB-1414DP	1.153,-
<input type="checkbox"/>	340 mm	380-450 mm	380 mm	360 mm	JB-1514DP	1.153,-
<input type="checkbox"/>	370 mm	400-450 mm	410 mm	360 mm	JB-1614DP	1.153,-
<input type="checkbox"/>	390 mm	430-500 mm	430 mm	360 mm	JB-1714DP	1.153,-
<input type="checkbox"/>	420 mm	450-500mm	460 mm	360 mm	JB-1814DP	1.153,-
<input type="checkbox"/>	440 mm	500-550 mm	480 mm	360 mm	JB-1914DP	1.153,-
<input type="checkbox"/>	470 mm	500-550 mm	510 mm	360 mm	JB-2014DP	1.153,-



Ride® Java® Back Tall

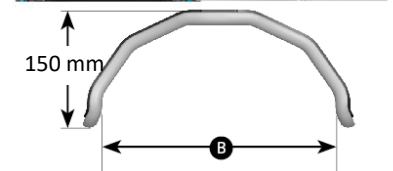
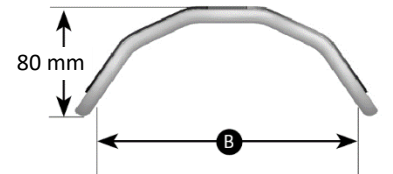


How to find the correct back width?

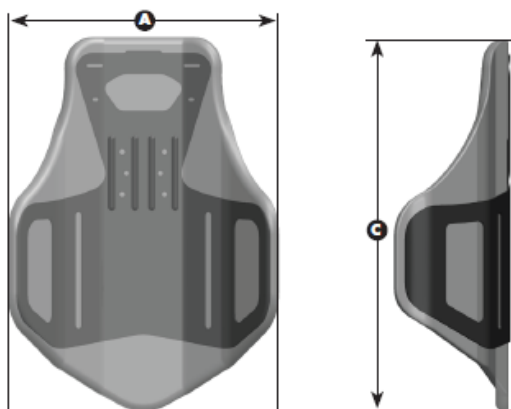


We recommend:
Width inside foam = Chest width + 50-80 mm depending on the user

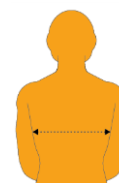
	B: Width inside foam	Fits wheelchair widths	A: Overall back width	C: Back height	Article number	Price in €
HEIGHT: TALL – DEPTH: REGULAR (80 mm)						
<input type="checkbox"/>	330 mm	350-430 mm	360 mm	460 mm	JB-1418	1.094,-
<input type="checkbox"/>	340 mm	380-450 mm	380 mm	460 mm	JB-1518	1.094,-
<input type="checkbox"/>	370 mm	400-450 mm	410 mm	460 mm	JB-1618	1.094,-
<input type="checkbox"/>	390 mm	430-500 mm	430 mm	460 mm	JB-1718	1.094,-
<input type="checkbox"/>	420 mm	450-500 mm	460 mm	460 mm	JB-1818	1.094,-
<input type="checkbox"/>	440 mm	500-550 mm	480 mm	460 mm	JB-1918	1.094,-
<input type="checkbox"/>	470 mm	500-550 mm	510 mm	460 mm	JB-2018	1.094,-
HEIGHT: TALL – DEPTH: DEEP (150 mm)						
<input type="checkbox"/>	330 mm	350-430 mm	360 mm	460 mm	JB-1418DP	1.153,-
<input type="checkbox"/>	340 mm	380-450 mm	380 mm	460 mm	JB-1518DP	1.153,-
<input type="checkbox"/>	370 mm	400-450 mm	410 mm	460 mm	JB-1618DP	1.153,-
<input type="checkbox"/>	390 mm	430-500 mm	430 mm	460 mm	JB-1718DP	1.153,-
<input type="checkbox"/>	420 mm	450-500 mm	460 mm	460 mm	JB-1818DP	1.153,-
<input type="checkbox"/>	440 mm	500-550 mm	480 mm	460 mm	JB-1918DP	1.153,-
<input type="checkbox"/>	470 mm	500-550 mm	510 mm	460 mm	JB-2018DP	1.153,-



Ride® Java® Back Grande

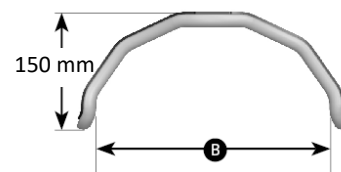
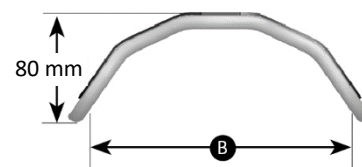


How to find the correct back width?



We recommend:
Width inside foam = Chest width + 50-80 mm depending on the user

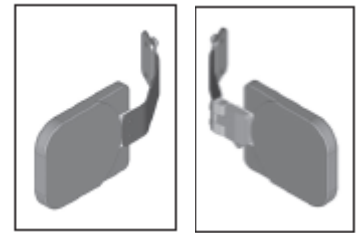
	B: Width inside foam	Fits wheelchair widths	A: Overall back width	C: Back height	Article number	Price in €
HEIGHT: GRANDE – DEPTH: REGULAR (80 mm)						
<input type="checkbox"/>	330 mm	350-430 mm	360 mm	560 mm	JB-1422	1.094,-
<input type="checkbox"/>	340 mm	380-450 mm	380 mm	560 mm	JB-1522	1.094,-
<input type="checkbox"/>	370 mm	400-450 mm	410 mm	560 mm	JB-1622	1.094,-
<input type="checkbox"/>	390 mm	430-500 mm	430 mm	560 mm	JB-1722	1.094,-
<input type="checkbox"/>	420 mm	450-500 mm	460 mm	560 mm	JB-1822	1.094,-
<input type="checkbox"/>	440 mm	500-550 mm	480 mm	560 mm	JB-1922	1.094,-
<input type="checkbox"/>	470 mm	500-550 mm	510 mm	560 mm	JB-2022	1.094,-
HEIGHT: GRANDE – DEPTH: DEEP (150 mm)						
<input type="checkbox"/>	330 mm	350-430 mm	360 mm	560 mm	JB-1422DP	1.201,-
<input type="checkbox"/>	340 mm	380-450 mm	380 mm	560 mm	JB-1522DP	1.201,-
<input type="checkbox"/>	370 mm	400-450 mm	410 mm	560 mm	JB-1622DP	1.201,-
<input type="checkbox"/>	390 mm	430-500 mm	430 mm	560 mm	JB-1722DP	1.201,-
<input type="checkbox"/>	420 mm	450-500 mm	460 mm	560 mm	JB-1822DP	1.201,-
<input type="checkbox"/>	440 mm	500-550 mm	480 mm	560 mm	JB-1922DP	1.201,-
<input type="checkbox"/>	470 mm	500-550 mm	510 mm	560 mm	JB-2022DP	1.201,-



Lateral trunk support for Ride® Java® Back

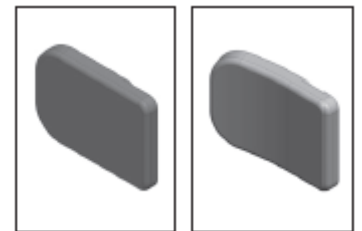
For back depth 80 mm only

		Article number	Price in €/ piece
<input type="checkbox"/>	Fixed	JB-L007 – JB-L018	350,-
<input type="checkbox"/>	Swing away	JB-L031 – JB-L054	564,-
Size	<input type="checkbox"/> Small – H: 75 mm, W: 125 mm <input type="checkbox"/> Medium – H: 100 mm, W: 150 mm <input type="checkbox"/> Large – H: 125 mm, W: 150 mm		
Shape	<input type="checkbox"/> Flat <input type="checkbox"/> Curved		
Side	<input type="checkbox"/> Right <input type="checkbox"/> Left		



Fixed

Swing-away



Flat

Curved

Accessories

		Article number	Price in €
<input type="checkbox"/>	Additional pelvic wedges (pair) Ensure extra rear side pelvic support	JB-PW	65,-
<input type="checkbox"/>	Additional Flexa-Just stays – thin aluminium strips (pair)	JB-FAS	68,-
<input type="checkbox"/>	Ride Privacy flap		
<input type="checkbox"/>	Small (back width 360 mm)	JB-PFS	47,-
<input type="checkbox"/>	Medium (back width 380-430)	JB-PFM	47,-
<input type="checkbox"/>	Large (back width 460-510)	JB-PFL	47,-

Head rest mounting directly on Ride® Java® Back

Can be mounted directly on the Java Back.

Please order the required Netti headrest separately.

	Please note: Only compatible with Java Back Tall and Grande.	Article number	Price in €
<input type="checkbox"/>	Head support adapter Netti standard incl. mounting material for mounting directly to the Java back	91474	103,-
<input type="checkbox"/>	Head support adapter Netti aluminium incl. mounting material for mounting directly to the Java back	91477	280,-
<input type="checkbox"/>	Symmetric Design Apex headrest hardware system for symmetrical and asymmetrical head positions.	46403	259,-
<input type="checkbox"/>	Apex headrest oval 200x115 mm (Please note: 46403 is required)	45423	227,-
<input type="checkbox"/>	Apex headrest with wings 230x140 mm (Please note: 46403 is required)	45424	292,-
<input type="checkbox"/>	Netti headrest adapter (for mounting of Netti headrests on Apex headrest hardware system)	89558	199,-
	Savant head rest incl. headband, small – height 130 mm. User forehead 460-560 mm. ½ user circumference behind ears 150-180 mm. Inside distance along top support 300 mm, along middle support 180 mm. Please note: 46403 is required	45366	852,-
<input type="checkbox"/>	Savant head rest incl. headband, adult – height 150 mm. User forehead 560-610 mm. ½ user circumference behind ears 200-300 mm. Inside distance along top support 360 mm, along middle support 200 mm. Please note: 46403 is required	45367	852,-

