



E-Move

User manual



EC Declaration of Conformity

The undersigned, representing the following manufacturer:

Decon Wheel AB
Org.no. 556618-9006
Södra Ekeryd 119, 314 93 HYLTEBRUK
SWEDEN

hereby declares that the product

E-Move part No. series:


MEM20	MEML20
MEM22	MEML22
MEM24	MEML24
MEM25	MEML25
MEM26	MEML26

is in conformity with the provision of the following EC directive, including all applicable amendments:

93/42 EEC Medical Device Directive – Class 1 – annex VII.

The manufacturer is exclusively responsible for this EC Declaration of Conformity.

This declaration is valid until June 30, 2020



Benny Andersson
Site Manager



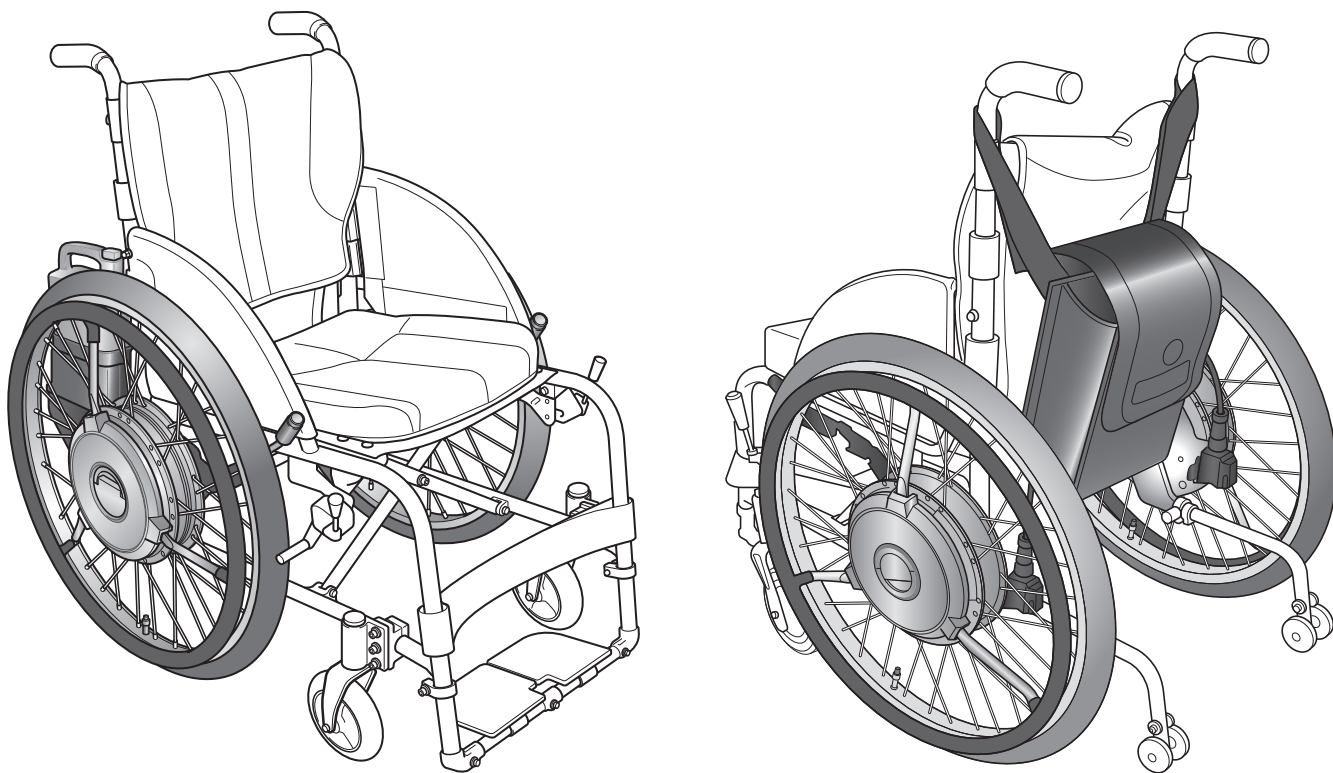
Introduction

This is a manual for the “E-Move” electric power assist unit for wheelchairs. Before you read this manual, check which product you are using.

This owner's manual printed in large letter is available for the visually impaired persons. Ask your dealership.

This product consists of the left and right drive units, battery and the battery charger. The drive units are already installed to the wheelchair frame. For the initial use, the customer does not have to use tools, and so on, to assemble the wheelchair. Refer to “2. Names of Parts” to ensure that these components are installed to the wheelchair that you purchased and that the battery and charger are included. If you visually notice that any of these components are not installed, are not included, or are damaged before using the wheelchair, immediately contact the dealer without using the wheelchair.

E-Move



For information for operating the wheelchair frame and warranty for the frame with which you are using the E-Move, see the frame manual.

Table of Contents

1. Please read before use	1
1.1. Foreword	1
1.2. Symbols Used in This Manual	1
1.3. Operation Diagnosis Check	2
1.4. Assistive Operation Diagnosis Check	3
1.5. Warnings and Notes for the Operation	4
1.6. Warning Label Location Diagram	25
2. Names of Parts	26
2.1. E-Move	26
2.2. Nickel Metal Hydride Battery (JWB2)	27
2.3. Nickel Metal Hydride Battery Charger (JWC-2)	28
2.4. Lithium Ion Battery (ESB1)	29
2.5. Lithium Ion Battery Charger (ESC1)	30
3. Before Sitting in the Wheelchair	31
3.1. Inspecting the Wheelchair	31
3.2. Checking Your Clothing	34
3.3. Checking the Residual Capacity of the Battery and Installing the Battery on the Wheelchair	34
4. Riding the Wheelchair	37
4.1. Sitting in the Wheelchair	37
4.2. Moving the Wheelchair	38
4.3. Checking the Residual Capacity of the Battery during Operation	39
4.4. Other Functions	39
4.5. Practicing Basic Operations	40

5.	After You are Finished Riding the Wheelchair	43
5.1.	Getting out of the Wheelchair	43
5.2.	Removing the Battery	44
6.	Handling the Batteries and Chargers	46
6.1.	Types of Batteries	46
6.2.	Maintenance	46
6.3.	Warnings and Notes for Battery Handling	47
7.	Nickel Metal Hydride Battery and Charger	50
7.1.	Features of the Nickel Metal Hydride Battery (JWB2)	50
7.2.	How to Use the Nickel Metal Hydride Battery (JWB2)	50
7.3.	Characteristics and Handling of the Nickel Metal Hydride Battery (JWB2)	51
7.4.	How to Charge the Nickel Metal Hydride Battery (JWB2)	53
7.5.	Refresh Charging the Nickel Metal Hydride Battery (JWB2)	55
7.6.	The Temperature of the Nickel Metal Hydride Battery (JWB2) during Charging	56
7.7.	Charger (JWC-2) Indicator Lamps	57
8.	Lithium Ion Battery and Charger	58
8.1.	Features of the Lithium Ion Battery (ESB1)	58
8.2.	How to Use the Lithium Ion Battery (ESB1)	58
8.3.	Characteristics and Handling of the Lithium Ion Battery (ESB1)	59
8.4.	How to Charge the Lithium Ion Battery (ESB1)	62
8.5.	The Temperature of the Lithium Ion Battery (ESB1) during Charging	64
8.6.	Charger Indicator Lamps	64

9. Wheelchair Transporting and Storing Instructions	65
9.1. Loading the Wheelchair in a Car	65
9.2. Unloading the Wheelchair from a Car	67
9.3. Storing the Wheelchair	68
9.4. Long-term Storing the Wheelchair (longer than 3 Months)	68
9.5. Boarding an Airplane	69
10. Using the Wheelchair more Comfortably	70
10.1. Removing and Installing the Unit	70
10.2. How to Remove Battery Bag of E-Move (Battery Separated Type)	75
10.3. Smart Tune Settings	79
11. Maintenance, Daily Check, Periodic Inspection	80
11.1. Maintenance	81
11.2. Daily Checks	82
11.3. Quit to use E-Move, recycling	82
12. Dimensions and Specifications	83
12.1. Dimensions	83
12.2. Specifications	84
13. Troubleshooting, Repairs, Warranty	86
13.1. Before Requesting Repairs	86
13.2. Requesting Repairs and Inspections	89
13.3. Serial Number Location	89
13.4. Warranty	89
13.5. Safety Notice and Product Recall	90

1. Please read before use

Caution: Federal law restricts this device to sale by or on the order of a practitioner licensed by the law of the State in which he/she practices.

1.1. Foreword




Thank you for purchasing the E-Move.

Indication for use: The device E-Move is a Power Assist Wheelchair Conversion Kit and suitable for the manual wheelchair users who are limited in their field of activities because of their physical conditions. The device can expand their field of activities by assisting their wheelchair operating force. The device is intended for indoor and outside use. Generally speaking, riding in a wheelchair incurs the possible risk of personal injury or damage to the wheelchair from improper use. Depending on the type or extent of the disabilities of the user, it might be dangerous to travel unaccompanied.

Before using the wheelchair, be sure that not only the user, but also the assistant and controller, has read this manual to assure full understanding.

- (1) The wheelchairs on which the E-Move has been installed are wheelchairs for physically handicapped people, and their legal status is that of a pedestrian. Make sure to adhere to the traffic rules and manners of a pedestrian.
- (2) The E-Move withstands a load of 130 kg. Use with a total maximum load including the chairframe weight of 130 kg. If the frame on which the E-Move is installed has an even lighter load capacity, ensure that you do not exceed that value.
- (3) To ensure safe use, warning labels are affixed to this product. Make sure to adhere to the warning labels. Refer to "1.6. Warning Label Location Diagram" for the locations of the warning labels.
- (4) Do not use this product for any purpose other than as an electric wheelchair.
- (5) Some of the illustrations in this manual are images of general electric wheelchairs. The actual product may be different than that shown.

1.2. Symbols Used in This Manual

	Indicates safety-related cautionary information.
 WARNING	Indicates that misuse may lead to fatal or severe injury, or disability.
NOTICE	Indicates that misuse may lead to material damage.
	Indicates things you must not do.
TIP	Indicates correct methods and key points when operating the product.

1.3. Operation Diagnosis Check

Depending on the extent of your disabilities, it may be dangerous to travel unaccompanied. Use this diagnosis check as a guide to determine whether or not you can travel unaccompanied.

1

Diagnosis Check 1

(1) Are you able to travel using the handrims?



(2) Are you able to correctly perceive visually the conditions of the road surface and your surroundings, and avoid dangerous areas?



Can operate both.

Have trouble operating one or both.

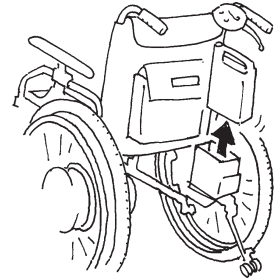
Power assist use is dangerous. Do not use E-Move.

Diagnosis Check 2

(1) Are you able to operate the swithes and parking brakes?



(2) Are you able to get in and out of the wheelchair, and to replace the battery?



Can operate both.

Have trouble operating one or both.

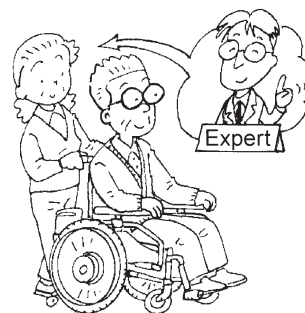
Have an assistant accompany you.



You can travel unaccompanied. For your safety, remember to travel carefully. In situations such as those mentioned in the warnings in 1.5. Warnings and Notes for the Operation, be sure to have an assistant accompany you, and pay sufficient attention to safety while traveling.

WARNING

- Before using the wheelchair, be sure to assess your competence and determine whether or not you need an assistant. Moreover, in determining the necessity of an assistant, consult expert opinions as a point of reference. If your judgment is based solely on your own opinion, you or other people around you may get injured.



1.4. Assistive Operation Diagnosis Check

Use the diagnosis check below as a guide to determine whether or not you can provide assistive operation.

Diagnosis Check

If you feel uncomfortable with any of the 3 tasks below, do not provide assistive operation.

- (1) Are you able to correctly perceive the conditions of the road surface and your surroundings, and avoid dangerous areas?



- (2) Are you able to assist the user to get on and off the wheelchair, and to replace the battery?

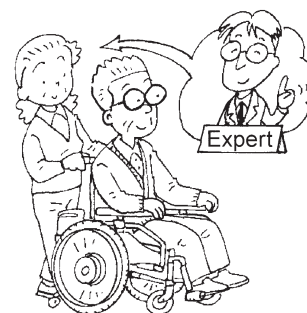


- (3) Are you able to provide assistive operation on a manual wheelchair?



! WARNING

- If an assistant is to accompany you and operate the wheelchair, be sure to assess his or her competence. Moreover, when assessing the assistant's competence, consult expert opinions as a point of reference. If your judgment is based solely on your own opinion, you or other people around you may get injured.



- If you lack the competence to provide assistive operation, do not attempt to provide it.



1.5. Warnings and Notes for the Operation

Read this manual before using the product.

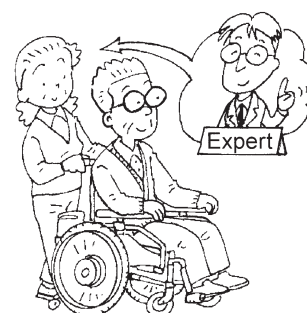
Read this manual carefully to ensure safe and comfortable operation. After reading it, store it where it can be accessed easily for future reference.

Unless specifically noted, the following information applies to when the user is operating the wheelchair themselves and when an assistant is operating the wheelchair using the assistant operations.

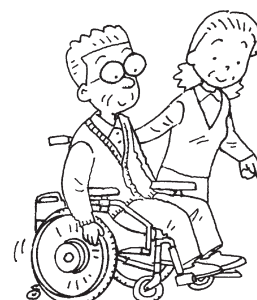
1.5.1. Before Using the Wheelchair after Purchasing the Unit

! WARNING

- Before using the wheelchair, be sure to assess your competence and determine whether or not you need an assistant. Moreover, in determining the necessity of an assistant, consult expert opinions as a point of reference. If your judgment is based solely on your own opinion, you or other people around you may get injured.



- Practice traveling on a level and safe area with an assistant accompanying you, until you are comfortable with the operation. If you go on public roads while still unfamiliar with the operation, you or other people around you may get injured.

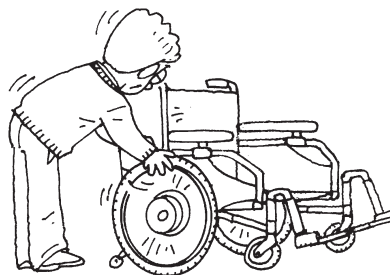


1.5.2. Before Use Every Day

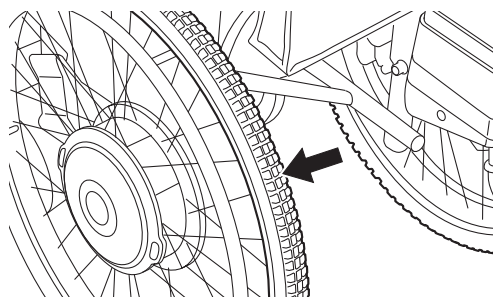


WARNING

- Perform the daily checks before use every day. Make a habit out of inspecting the wheelchair. Continued use of the wheelchair with a problem in the wheelchair body or the wheels may cause damage to the wheelchair while traveling, and may result in a rollover or fall.



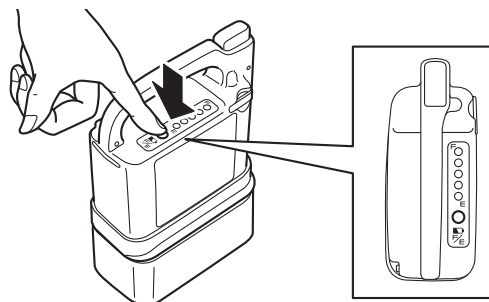
- Before using the wheelchair every day, ensure that there is air in the tires. Always keep the air pressure in the rear tires at a normal level. If the air pressure in the rear tires decreases, the parking brakes may become ineffective.



- Before using the wheelchair every day, ensure that the anti-tip device is in the correct position. If the anti-tip device is not in the correct position, the wheelchair could fall backward.



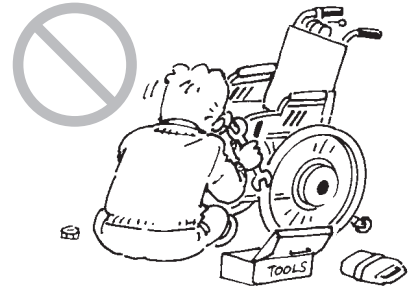
- Before using the wheelchair every day, check the residual capacity of the battery. If the residual capacity of the battery is low, the battery may run out during operation and it may become impossible to travel in power drive mode.



1.5.3. Handling the Wheelchair

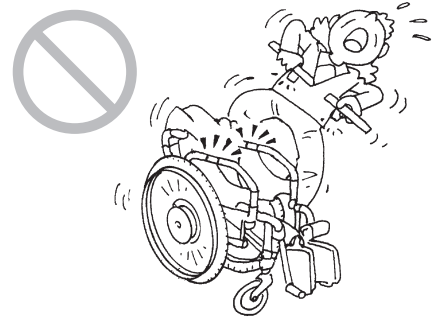
WARNING

- **Modifying the unit or its mounting may adversely affect its performance and safety. Never make any modifications.**

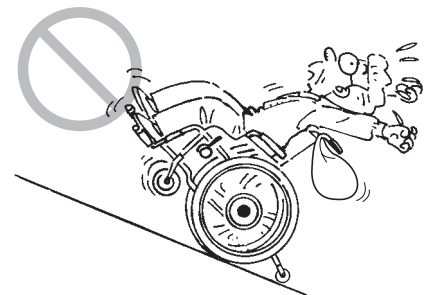


- **If the wheelchair has parts that are foldable or detachable, do not operate the wheelchair with those parts folded or removed.**

- **When lifting the wheelchair, do not hold movable parts.**



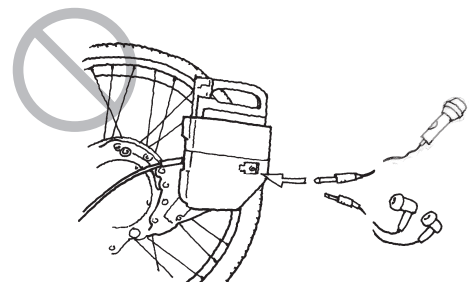
- **Do not operate with any heavy baggage hanging over the backrest, or with any heavy objects in the compartment. The wheelchair could easily fall backward on an inclined slope, and may cause you or other people around you to get injured.**



- **The wheelchair may tip over if it is operated with the anti-tip device removed, folded, or with the safety wheels facing upwards. Be sure to set the anti-tip device correctly and operate the wheelchair with the safety wheels in the correct position.**



- **Do not connect any electric instruments to the battery seat plug. This plug is to connect PC for the Smart Tune software. Plugging other electric instruments like audio microphone or earphones may cause unit trouble. About the Smart Tune software, refer to section 10.**

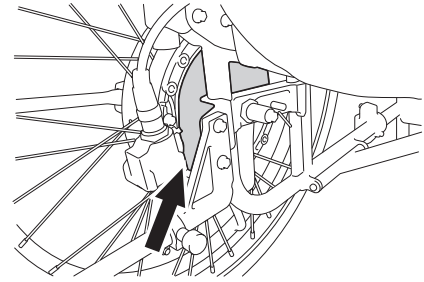


 **WARNING**

- Removing the battery while traveling causes the brakes to be applied to the rear tires, and may cause you or other people around you to get injured.



- While the wheelchair is being operated or after operation, do not touch the back of the drive units. During or after operation, the back of the drive units may be hot. In addition, the surface of the unit, including the handrims, may become hot due to exposure to heat from sunlight or heating devices. Also do not touch the unit when it is expected to be hot.



Back of the unit
(Both side)

- While operating the wheelchair, be careful not to get your hands tangled in the wheel spokes, wheel holes, etc.

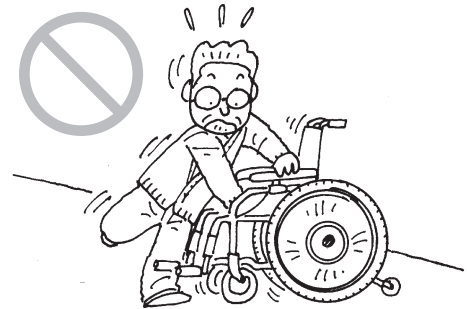


1.5.4. Getting In/Out of the Wheelchair, Seating

1

WARNING

- When getting in the wheelchair by yourself or when the assistant has the user of the wheelchair get in the wheelchair, ensure that the wheelchair is on a level ground. If the user attempts to get in the wheelchair on an incline, he or she may lose balance and fall off the wheelchair.



- If you are using a wheelchair with no parking brakes, have the assistant hold the wheelchair to ensure that it does not move. Failure to observe the above may cause the wheelchair to start moving unexpectedly, and may result in you or other people around you to get injured.



- Do not lean out of the wheelchair to retrieve an item. Otherwise, you could fall off the wheelchair or the wheelchair could tip over.



1.5.5. General Operation

WARNING

- Never ride the wheelchair with two people. The wheelchair may malfunction or the people riding it may get injured.



 **WARNING**

- Never operate the wheelchair after consuming alcohol or taking medicine that causes drowsiness.



- Never operate the wheelchair while holding an umbrella or other items.



- Never tow the wheelchair. Do not use the wheelchair to tow or pull anything.

- If you want to use a portable phone, etc., stop the wheelchair at a safe place and turn off the wheelchair. Moreover, while traveling in power drive, keep portable telephones and other electronic devices turned off. Otherwise, there is a risk of an accident.



- Do not operate the wheelchair near a device that produces strong radio waves. If the wheelchair is near a source of radio waves and starts to operate abnormally, immediately turn off the power, and quickly move away from that location using the assistant operations or manual operation.



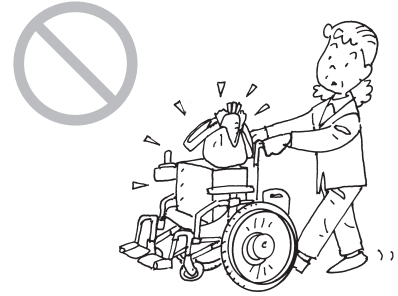
The weak electromagnetic waves emitted by the E-Move may affect other electronic devices, such as automatic doors and the anti-theft systems of stores. In this case, turn off the power and operate the wheelchair using the assistant operations or manual operation.


WARNING

- Do not turn the power switch off while traveling. It causes the brakes to be applied to the rear wheels in some cases and may cause you to fall down from the wheelchair.



- Do not use the wheelchair for transporting luggage or for any other purpose than to provide assistance to a disabled person.

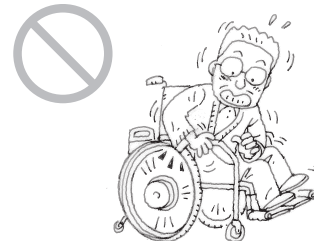


- Do not ride with clothing that is unsafe for wheelchairs, such as shown below. If you drive with such clothing, you or other people around you may get injured. Long scarves
Clothing with loose sleeves
Pants/skirts with wide hems
bare feet, sandals, slippers, ill-fitting footwear, etc.

Long scarves



Clothing with loose sleeves



Pants/skirts with wide hems

Bare feet, sandals, slippers,
ill-fitting footwear, etc.

In the following environments and situations, you may need an assistant to accompany you and to operate the wheelchair for you.
 In such cases, have an assistant accompany you. Traveling alone in these situations may lead to injury.

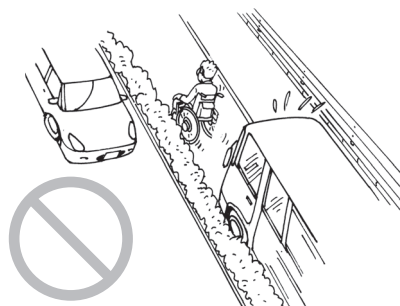
Moreover, check to see if any dangers such as those shown below exist in the roads you use on a daily basis. If so, select a route that does not pass through such areas.
 Always check the surrounding conditions to ensure safety.

1.5.6. Operation on Public Roads

 **WARNING**

- When the wheelchair is operated outdoors, its legal status is that of a pedestrian. Make sure to adhere to the rules and manners of a pedestrian.
- On general roads, be careful of automobiles, bicycles, and pedestrians. In particular, pay the utmost attention to pedestrians.

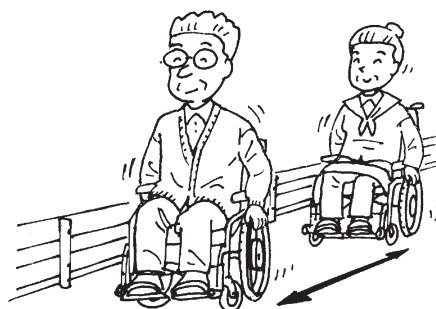
- Although the wheelchair can be operated on pedestrian-only roads, it cannot be operated where pedestrians are not allowed (car roads, in the middle of a road, etc.).



- If the road has a sidewalk, operate the wheelchair on the sidewalk.
- If the road does not have a sidewalk, operate the wheelchair on the side strip of the road where pedestrians walk.
- If the road does not have a side strip, operate the wheelchair on the side of the road where pedestrians walk.



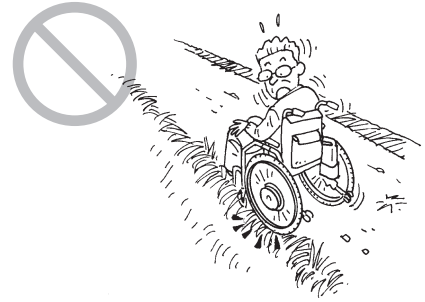
- If two or more wheelchairs are traveling together outdoors, the wheelchairs should be operated in a single line with sufficient space between the wheelchairs. The wheelchairs should not be operated side by side.



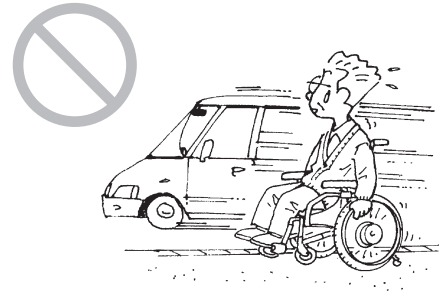
- When starting off or moving backward, be careful of other people and obstacles around you.
- It is extremely dangerous to travel on a narrow street without a sidewalk. Choose a safer path whenever possible.


WARNING

- Be careful not to travel too close to the edge when traveling on an embankment, etc., of a road. Depending on the condition of the shoulder of the road, you could accidentally move off the road.



- When traveling on a sidewalk that does not have a guardrail, there is a risk of falling into the street side. Have an assistant accompany you instead of traveling alone.

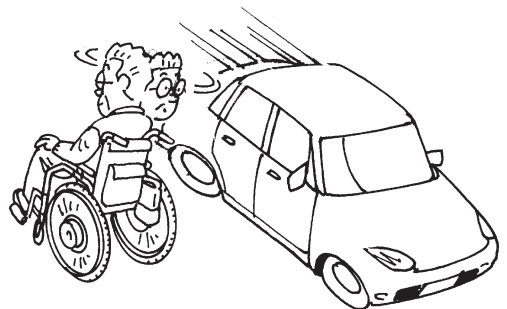


- When traveling near a ditch, the tire may fall into it if there is a gap even if it is covered. Have an assistant accompany you instead of traveling alone.



- If there are any obstacles, stop the wheelchair and check in front of you and behind you for safety before proceeding.

- If an oncoming vehicle is near, stop the wheelchair, wait for the vehicle to pass, and then check in front of you and behind you for safety before proceeding.



- Do not operate the wheelchair outdoors at night. Not being able to see the road conditions, you may lose balance and fall, or people or cars may collide into you if they cannot recognize you.



 **WARNING**

- If it is raining or snowing, do not operate the wheelchair outdoors. Automobiles and other vehicles may collide into you if they cannot recognize you. If it starts to rain or snow while you are outdoors, move indoors as soon as possible.

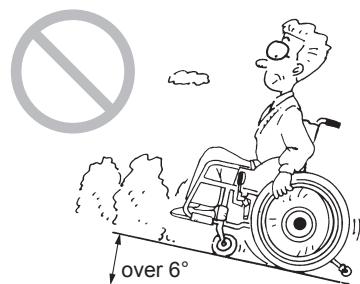


1.5.7. Operation on Slopes

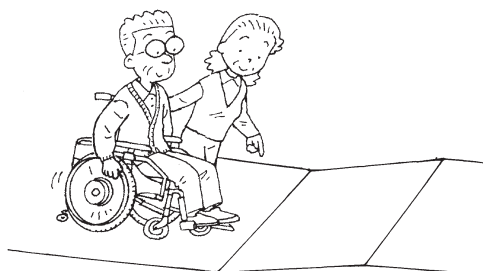
 **WARNING**

The wheelchairs equipped with the E-Move are built to be lighter compared to other heavier electric wheelchairs that use a general lead battery. For this reason, when a person sits in it, the overall center of gravity shifts higher. Therefore, caution is necessary when traveling on a slope.

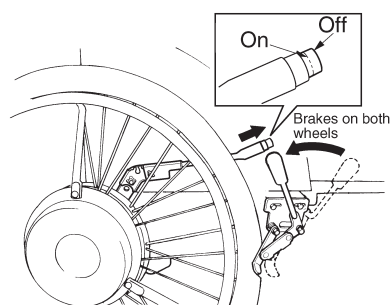
- Do not use the wheelchair on a slope steeper than 6 degree (10% grade). It may tip over or the brake may become ineffective.



- When going up/down a particular slope for the first time, have an assistant accompany you to ensure safety.



- Do not operate the power switch on a slope. The wheelchair behaves as a normal wheelchair while switched off. It may start to move. Park on a level place and apply the parking brake when you operate the power switch.

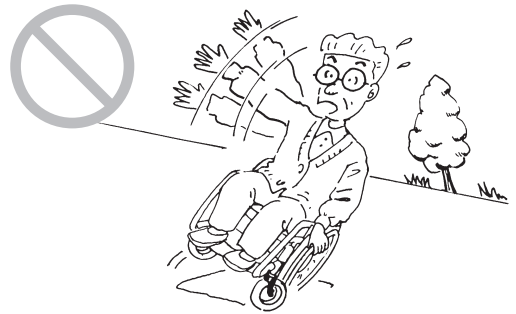


 **WARNING**

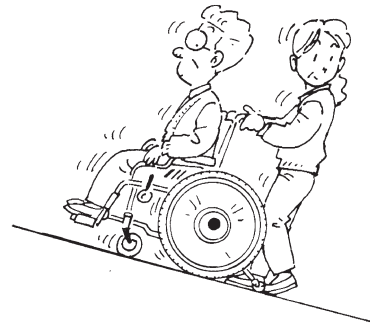
- Do not abruptly turn on a downhill slope. In addition, do not traverse horizontally or diagonally across a steep slope. You could easily lose balance and tip over.



- In the areas where the wheelchair leans sharply to the left or right, the wheelchair may tip over sideways. Have an assistant accompany you.



- When descending down a slope with the assistant operations, descend in reverse. If the assistant moves the wheelchair forward when descending, the passenger may plunge forward and fall off the wheelchair.

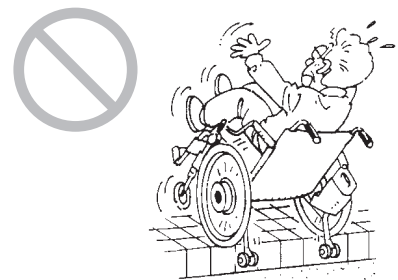


1.5.8. Going Up/Down Curbs

 **WARNING**

The wheelchairs equipped with the E-Move are built to be lighter compared to other electric wheelchairs that use a general lead battery. For this reason, when a person sits in it, the overall center of gravity shifts higher. Therefore, caution is necessary when traveling on a curb.

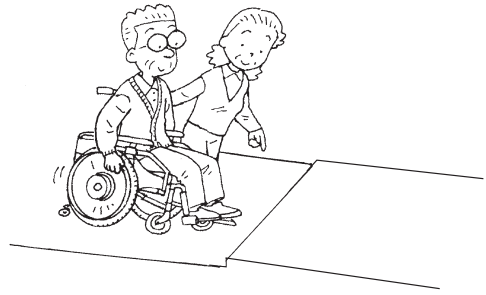
- When traveling in power drive mode, the wheelchair can clear level differences of up to 25 mm (1 inch). Any greater level differences should be cleared by an assistant by manual push operation.





WARNING

- When going up/down a curb for the first time, have an assistant accompany you instead of traveling alone.



- When traveling over a curb, be careful not to lose your balance.

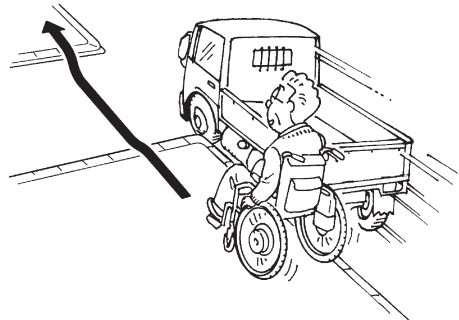
- When traveling over a curb, proceed at a right angle to the curb. Do not traverse the curb diagonally.



- Because the front casters are small, they are able to travel over only small curbs. Therefore, caution is necessary when traveling over curbs in power assist mode.

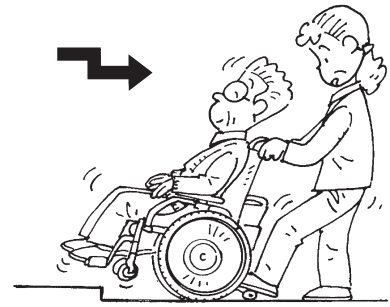


- When traveling between a sidewalk and a road, be careful of curbs.

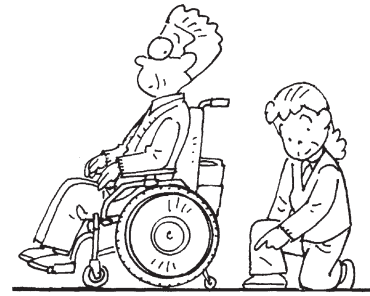


! WARNING

- When descending from a curb with the assistant operations, descend in reverse. If the assistant moves the wheelchair forward when descending, the passenger may plunge forward and fall off the wheelchair.



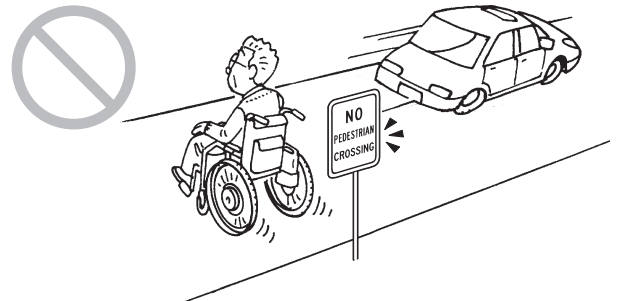
- When going up/down a curb with the assistant operations, the safety wheels of the anti-tip device may be raised or folded temporarily depending on the height of the curb. After traveling over the curb, be sure to place the safety wheels of the anti-tip device in the correct position before operating the wheelchair.



1.5.9. Crossing Roads

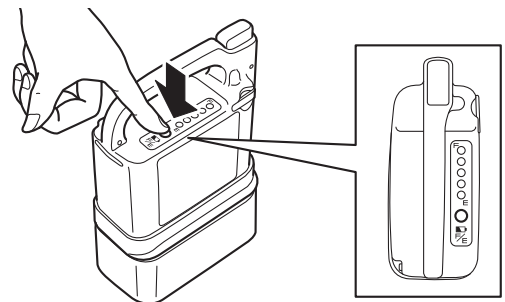
! WARNING

- You cannot cross a road where pedestrians are prohibited from crossing.



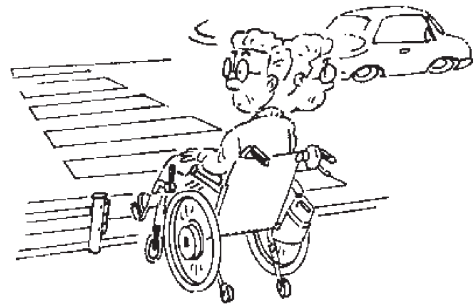
- When crossing at an unfamiliar location, have an assistant accompany you.

- If the residual capacity of the battery is low, the wheelchair may stall while crossing a street. Check the residual capacity of the battery before crossing.

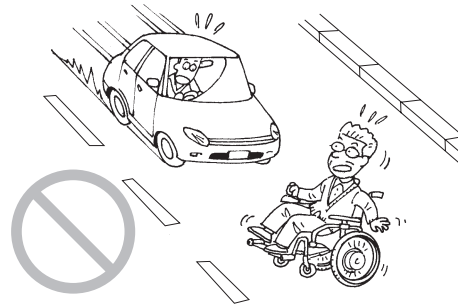


 **WARNING**

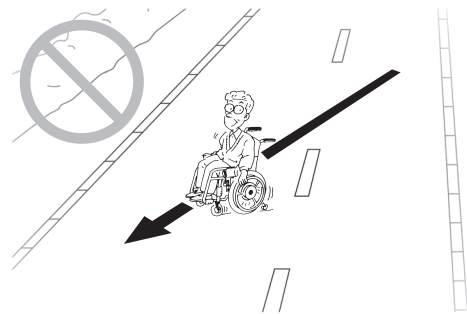
- Before crossing a road, be sure to check to the left and right for safety.



- Do not cross a road if it is dangerous to do so, such as if an automobile is approaching.

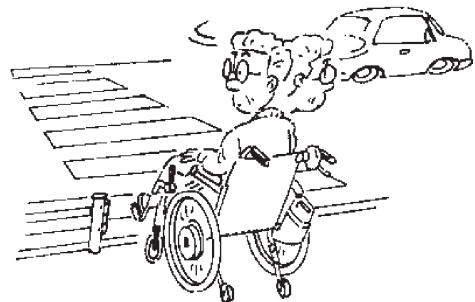


- When crossing a road, proceed as close as possible at a right angle to the road. Do not cross the road diagonally.

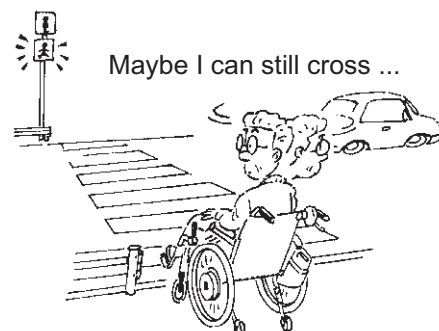


- Cross a road at a location where there is a traffic light or crosswalk.

- When crossing a street at a crosswalk with no traffic light, pay sufficient attention to the traffic.



- If there is a pedestrian signal light, obey the signal light. If the signal light is flashing green or is red, you must not start to cross the road.
- If the street is wide, the signal may change before you finish crossing. In such places, wait for the next green light to give yourself enough time to cross the street.



 **WARNING**

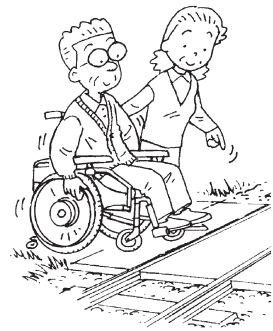
- At intersections where there are no traffic lights or crosswalks, stop in the following three stages.
 1. Stop before entering the road.
 2. Stop where you can be seen by automobiles.
 3. Stop where you have a good view of the road.

1.5.10. Railroad Crossings

 **WARNING**

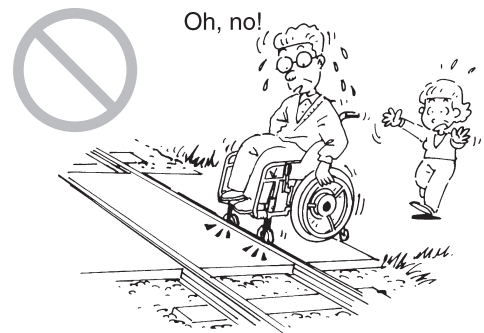
- Avoid railroad crossings if you can go around them.

- If you have no choice but to travel over a railroad crossing, have an assistant accompany you.



- Be sure to stop before the railroad crossing and check to the left and right for safety.

- When traveling over a railroad crossing, proceed as close as possible at a right angle to the railroad tracks. If you travel diagonally, the wheelchair casters may get caught in the railroad tracks.



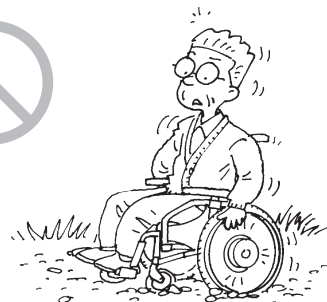
- Be careful not to travel too close to the edge when traveling over a railroad crossing. Otherwise, the wheels could accidentally move off the railroad crossing. If case of an emergency, do not panic. Have the assistant or a person around you push the emergency button and move off the railroad crossing as quickly as possible.

1.5.11. Poor Road Conditions

WARNING

The wheelchairs equipped with the E-Move are built to be lighter compared to other electric wheelchairs that use a general lead battery. For this reason, when a person sits in it, the overall center of gravity shifts higher. Therefore, caution is necessary when traveling on a curb.

- Do not travel on gravel roads, bumpy roads, muddy roads, footpaths, etc. If you have no choice but to travel on such roads, have an assistant accompany you.



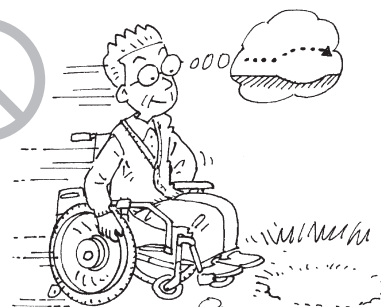
- Do not drive the wheelchair on a frozen surface. You may not be able to stop the wheelchair.



- Go around locations where snow or water has accumulated or have an assistant accompany you. In such places where you do not know the road conditions or if the wheelchair slips, you could lose control or the brakes may become ineffective. If the wheelchair travels through a deep puddle and water enters the drive units, the wheelchair could stop.



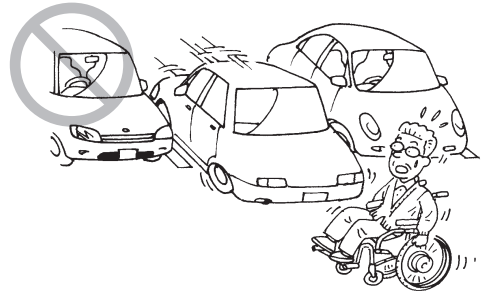
- If you see a dip in the road, or if a sidewalk dips due to a car ramp, go around it. If you go straight into it, the wheelchair may tip over. If you have no choice but to keep going, do so with an assistant accompanying you to ensure safety.



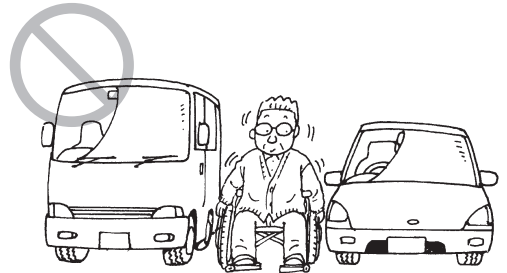
1.5.12. Parking Lots

WARNING

- Do not travel directly behind or in front of automobiles in parking lots. Drivers may not be able to see you if you are directly behind or in front of their automobiles.



- Do not travel between automobiles in parking lots. Otherwise, you could damage the automobiles or be crushed when an automobile starts moving.

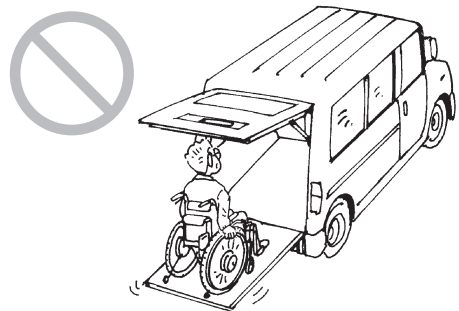


1.5.13. Using Public and Private Transportation

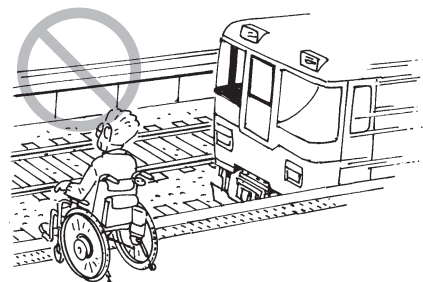
WARNING

- When using public transportation, check to ensure that wheelchair use is allowed beforehand. In addition, follow the rules and instructions when boarding the vehicle.

- When using a private automobile, do not use the wheelchair as a seat. Sit in one of the automobile's seats.
- When getting on/off a lift vehicle, always have an assistant accompany you to ensure safety.

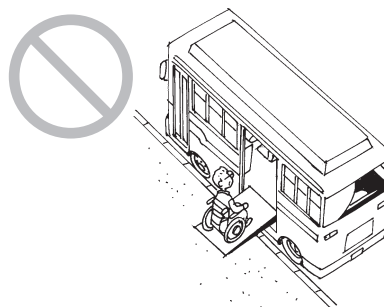


- When using a train station, always have an assistant accompany you, stop the wheelchair on the train station platform so that it is parallel to the railroad tracks, and be sure to apply the parking brakes. Some train station platforms are positioned at a slight angle to the railroad tracks. In some cases, you could fall onto the tracks and be injured.



! WARNING

- When getting on/off a bus or train, always have an assistant accompany you to ensure safety.



- Whenever you get off a bus, a taxi, or a train, be sure that the safety wheels on the anti-tip device are in the correct position before getting in the wheelchair.



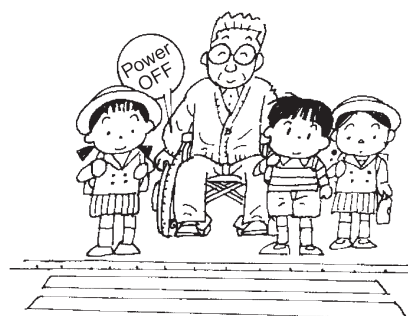
1.5.14. Crowded Areas

! WARNING

- When getting in the wheelchair in a crowded area, do so with sufficient attention to your surroundings. If you bump into people or objects, your body may plunge forward, or other people around you may get injured.



- When you are stopped in a crowded area, be sure to turn off the power and apply parking brakes. If a person in your surrounding area hits the handrim with his or her hand or arm, the wheelchair may start moving unexpectedly, causing injury to people around you.



1.5.15. Transporting and Storing the Wheelchair

WARNING

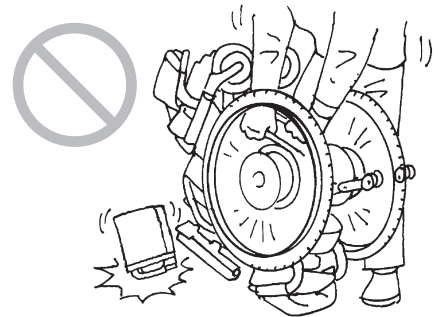
- When lifting a wheelchair with tilt-up arm support, never lift it by the arm support. Otherwise, the arm support may come off and cause an injury or damage to the equipment.



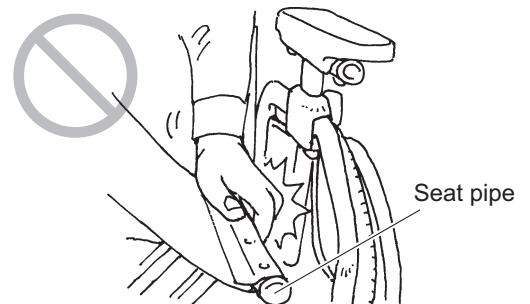
- When lifting a wheelchair, never lift it by the battery or cable. Otherwise, any of these devices may come off and cause an injury or damage to the equipment.



- Do not turn the wheelchair upside down. Doing so may cause parts of the wheelchair to fall off, resulting in an injury or damage to the equipment.



- Do not put your hands or fingers beside or under the seat pipe. Doing so may cause your finger(s) to get pinched.

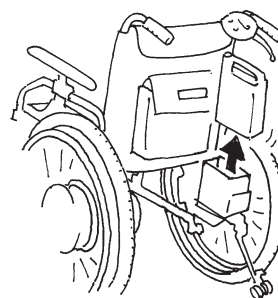


- During transport, do not place the battery or the wheelchair in a place that can become hot, or in direct sunlight. This could lead to malfunction, or could cause the deterioration of the battery to progress rapidly.



! WARNING

- Be sure to remove the battery when not in use, so that its power will not turn on unexpectedly in storage or during transport.

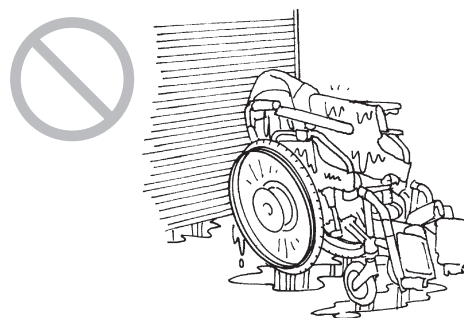


- Be sure to store the disconnected battery with the protective cap on it. Exposed contacts can cause short circuits and lead to a fire or battery rupture.

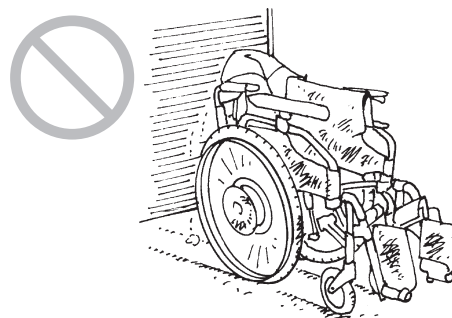


Protective cap

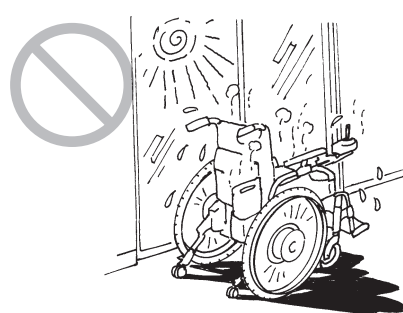
- Do not store in places that can get wet by rain, or that are high in humidity.



- Do not store when it has been wet for a long time, or there is dirt on it. This can cause malfunction.



- Avoid storing in direct sunlight or in places where the temperature can get high.

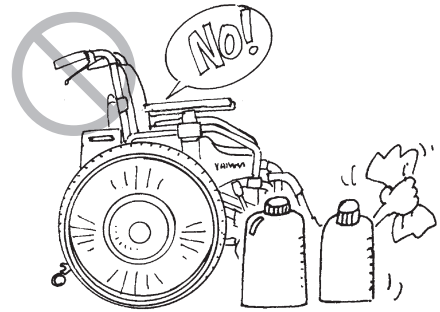


! WARNING

- Do not wash by directly hosing it down with water. Also, do not wash with using steam. The electronic devices can get damaged, which may lead to malfunction.



- Do not clean with solvents such as gasoline or paint thinner. This may damage the painting and plastic parts.

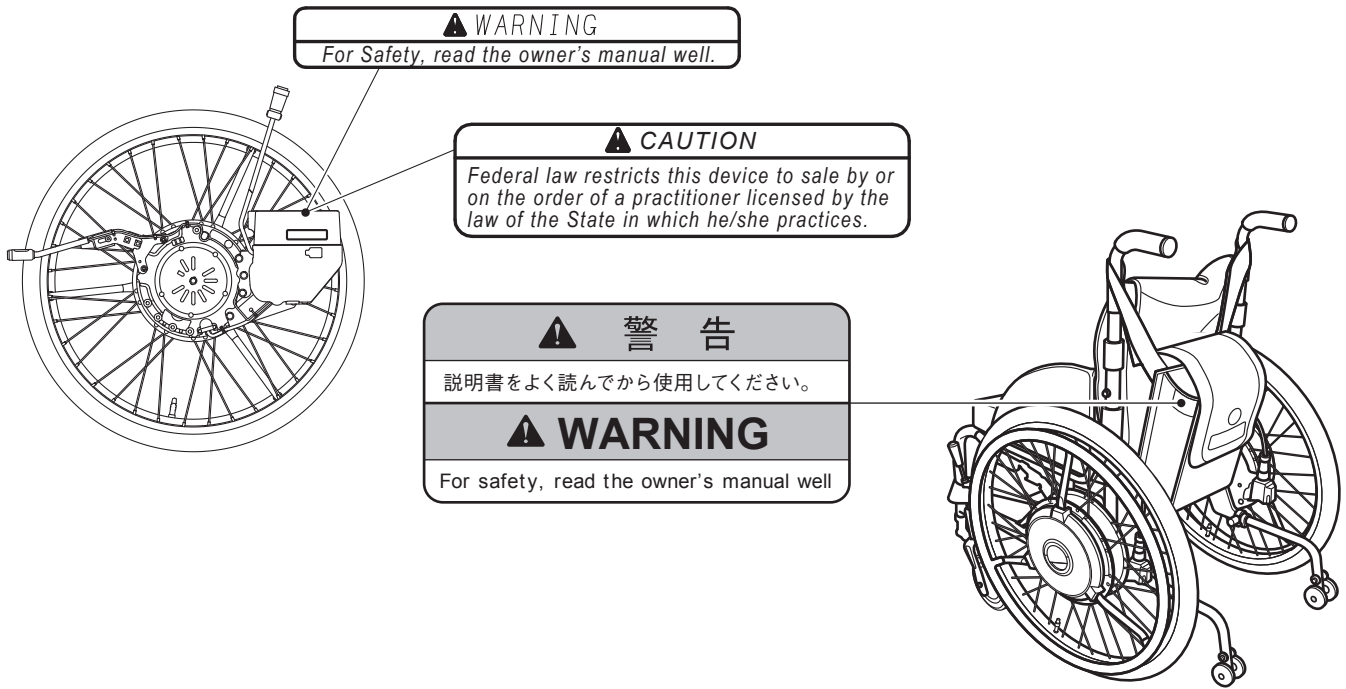
**1.5.16. Assistant Operations in an Emergency****! WARNING**

- During assistant operations in case of an emergency, the assistant should switch the clutch levers to the manual position, and move the wheelchair to a safe location.

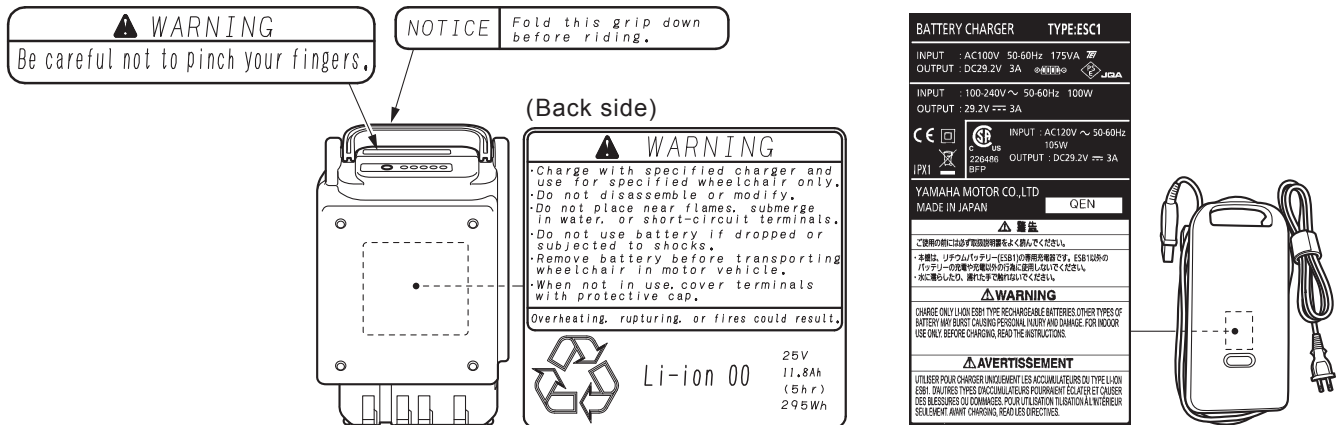


1.6. Warning Label Location Diagram

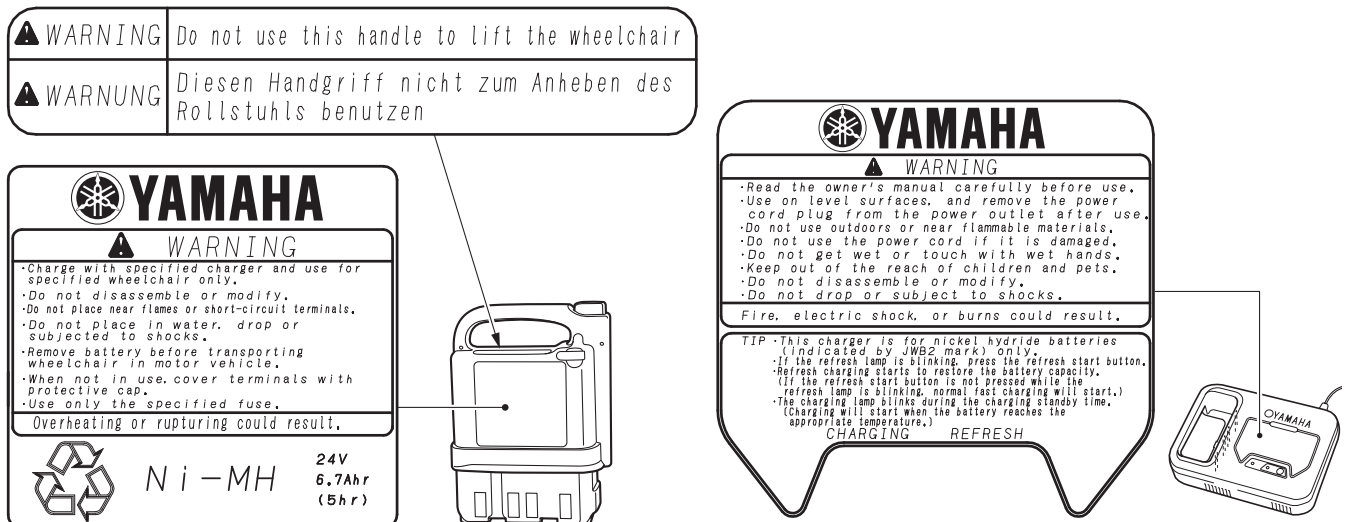
• Power Unit



• Lithium Ion Battery and Charger



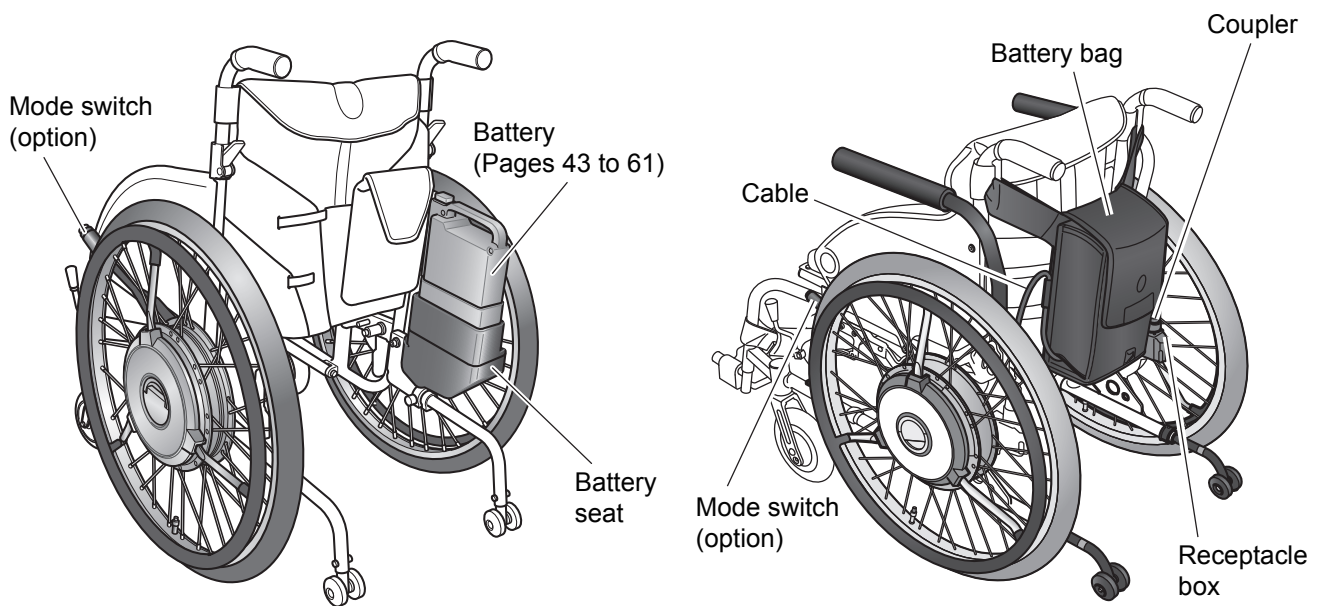
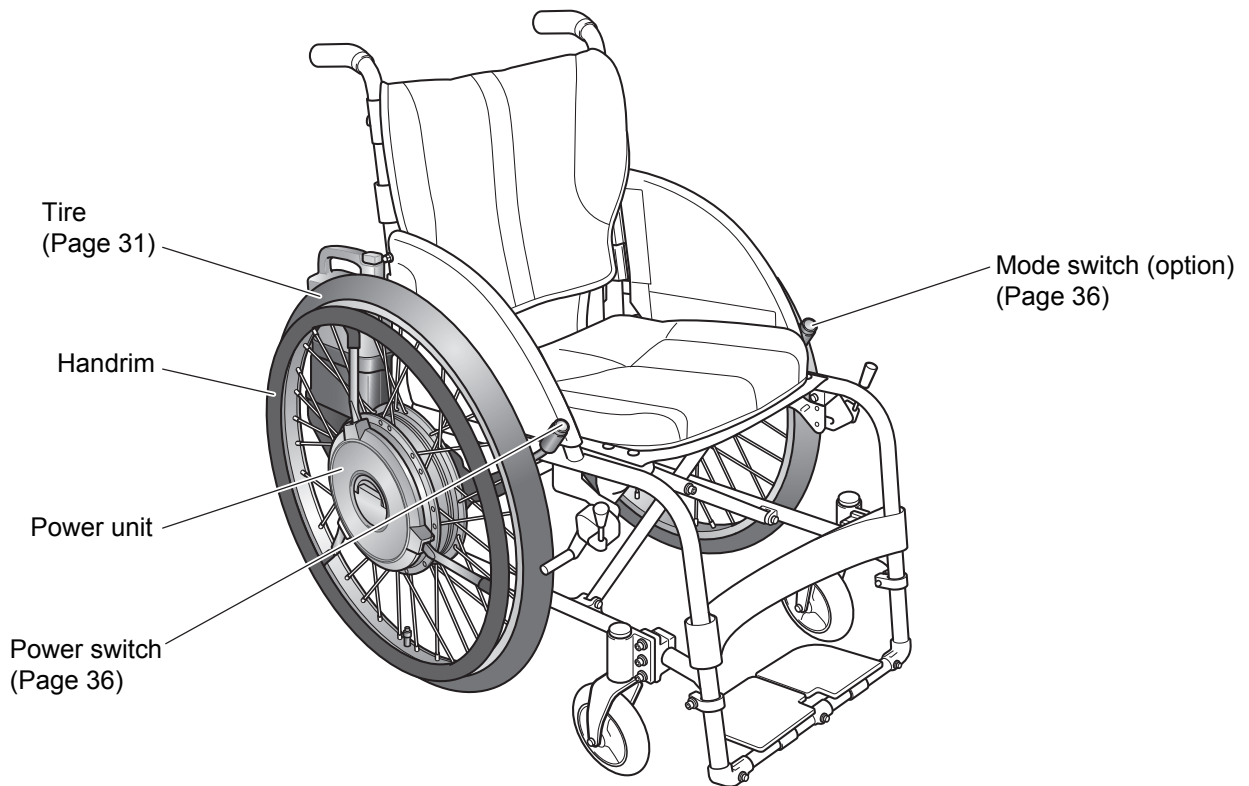
• Nickel Metal Hydride Battery and Charger



2. Names of Parts

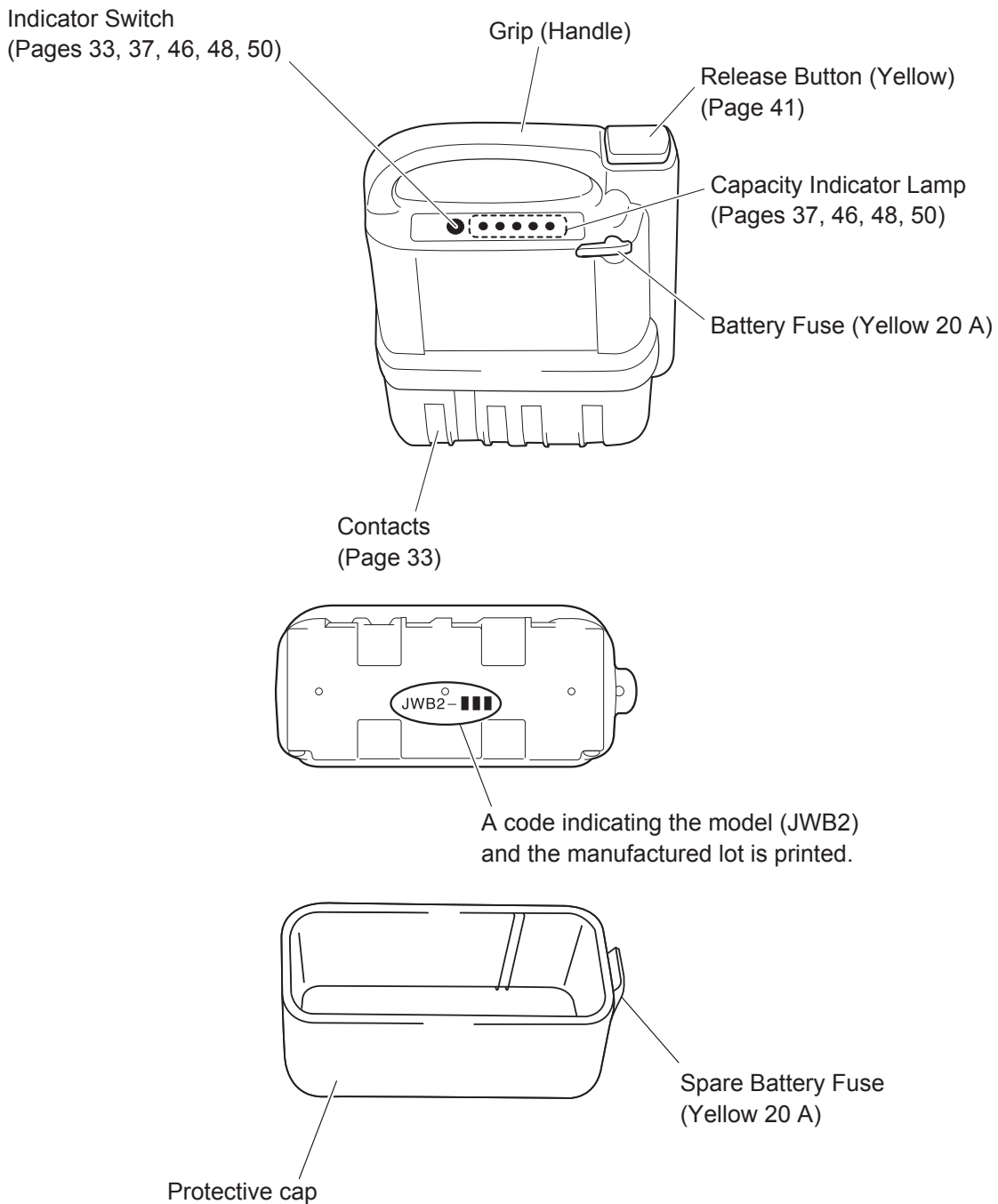
2.1. E-Move

2



Either a nickel hydride battery set or a lithium ion battery set is supplied.

2.2. Nickel Metal Hydride Battery (JWB2)

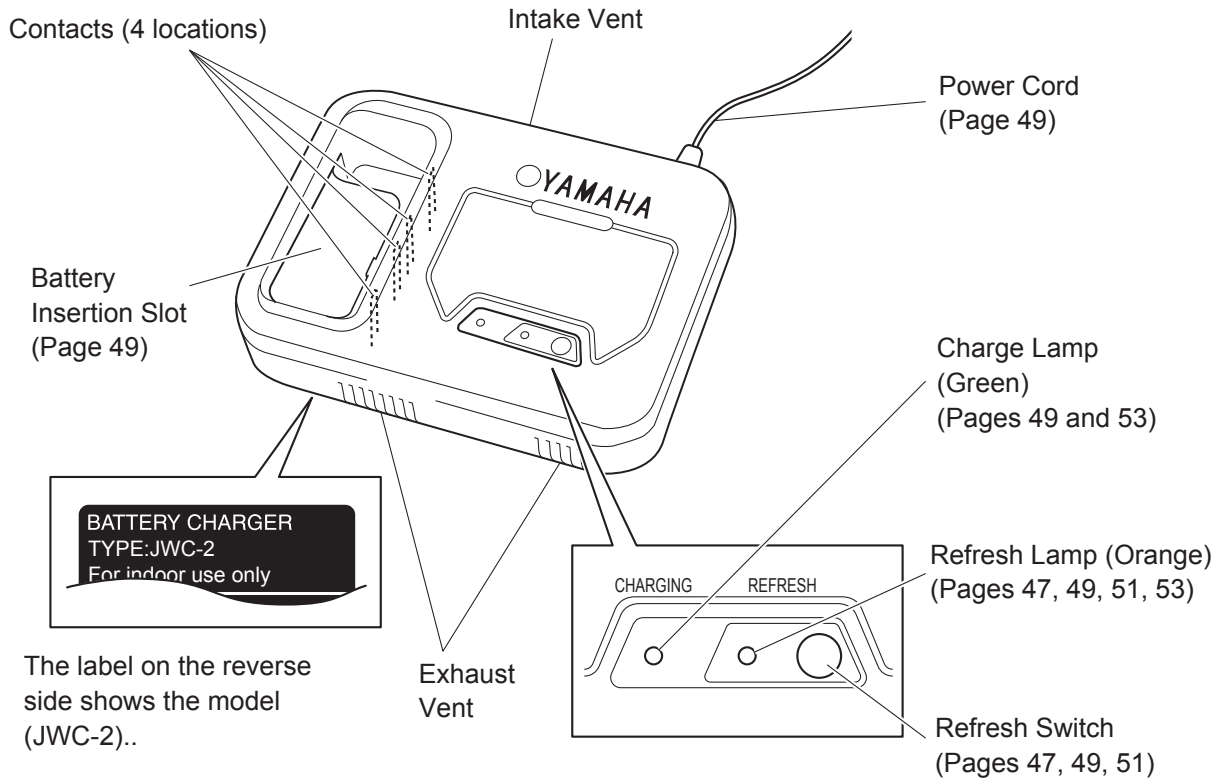


NOTICE

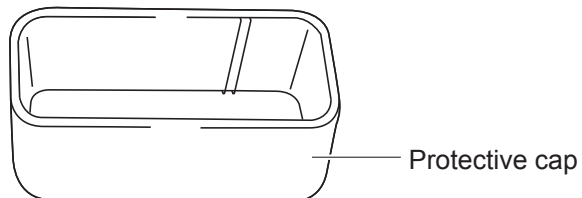
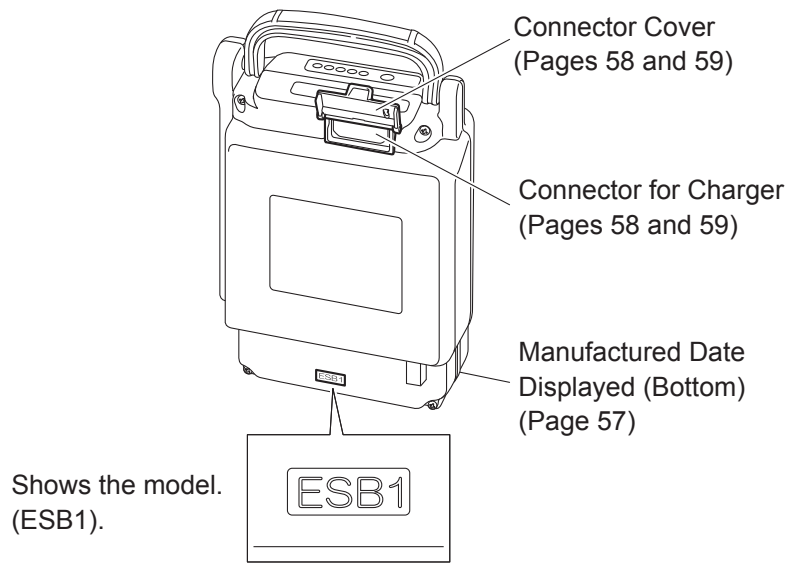
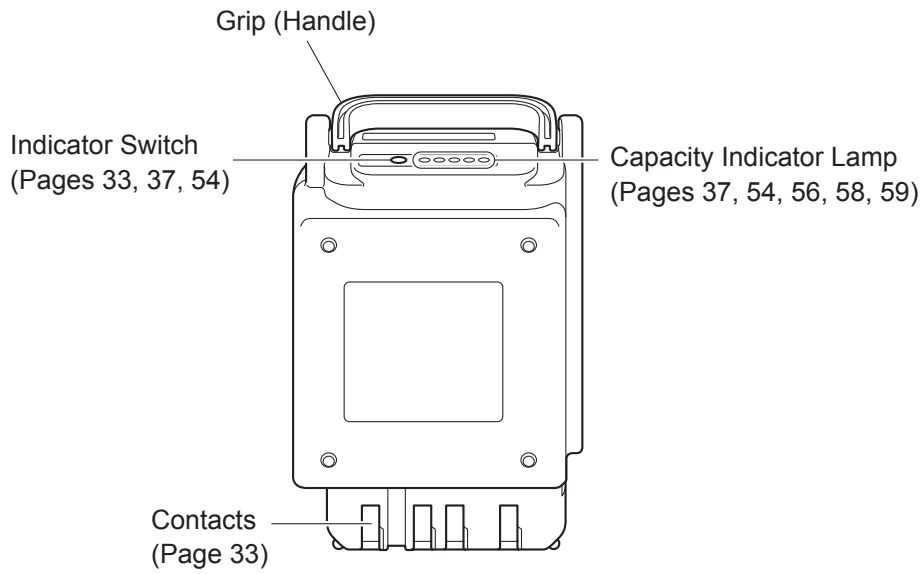
- If the battery fuse blows, instead of replacing it by yourself, consult with your dealer. If you replace the fuse without eliminating what caused it to blow, the fuse may blow again, or the main unit may malfunction.

2.3. Nickel Metal Hydride Battery Charger (JWC-2)

2

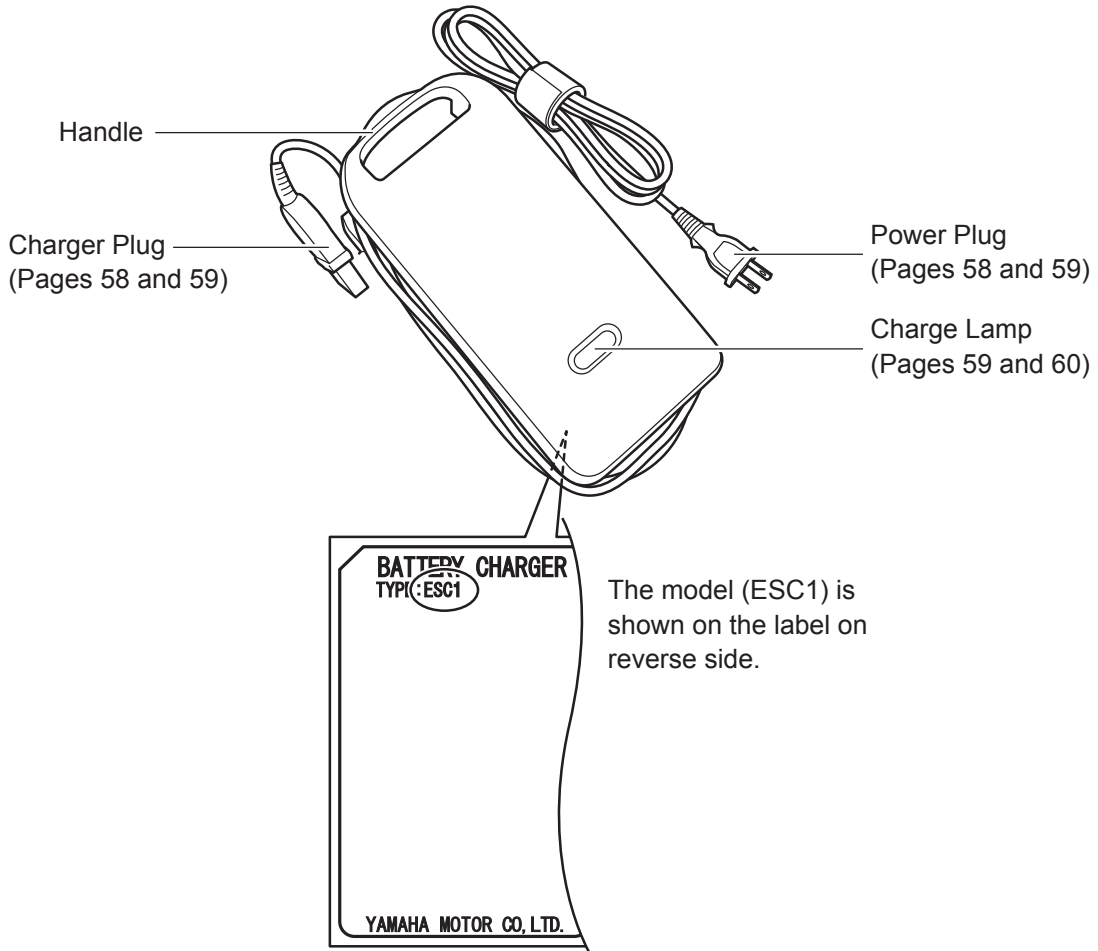


2.4. Lithium Ion Battery (ESB1)



2.5. Lithium Ion Battery Charger (ESC1)

2



3. Before Sitting in the Wheelchair

3.1. Inspecting the Wheelchair

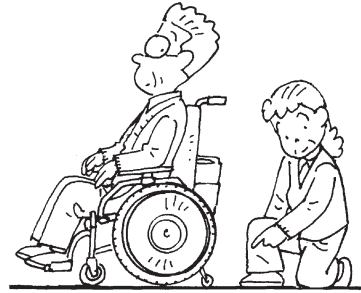
Inspect the wheelchair. If you detect any problem, contact your dealership.

(1) Anti-tip device

Check the anti-tip device which is installed to your wheelchair frame to ensure that it is not deformed or greatly damaged.

Check the safety wheels of the anti-tip device to ensure that they are in the correct position for operation.

In detail, refer to the wheelchair frame manual.



WARNING

- The wheelchair may tip over if operated when the anti-tip device is removed or the safety wheels are not in the correct position. Do not operate the wheelchair when the safety wheels are not in the correct position. Only have the safety wheels folded or facing upwards when going over bumps with the assistant operations and other such situations.
- Continuing to use the wheelchair with a problem in the wheelchair body or the wheels may cause sudden damage to the wheelchair while traveling, and may result in a rollover or fall.

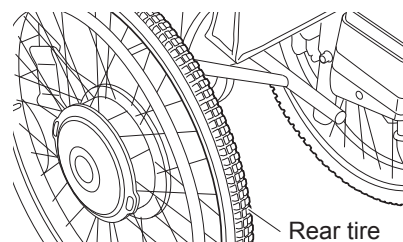
(2) Rear tire

Check to ensure that there is tire depth.

Check the surface of the tire to ensure that there are no cracks in it.

Check to ensure that there is air in the tire. (Check by pressing the tire with your finger.)

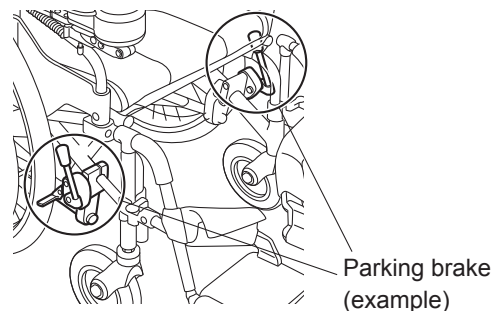
If not enough, pump up to min. 6 Bar and max. 10 Bar .



(3) Parking brakes

Check to make sure that the parking brakes are applied. Push the wheelchair with the brakes applied on both wheels to ensure that the tires do not move.

Check the parking brakes to ensure that they do not wobble.

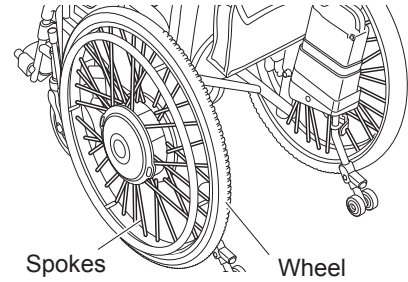


(4) Wheels

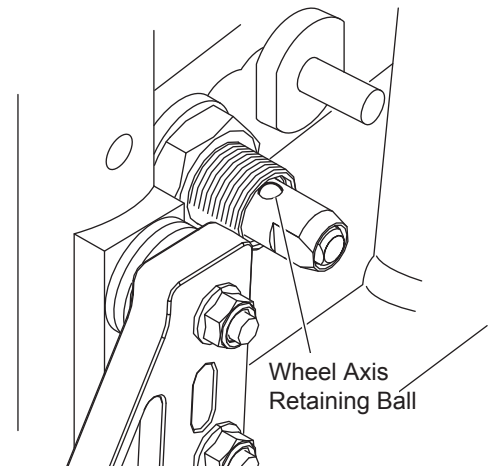
Check the wheels to ensure that they are not deformed or damaged.

Check the area where the wheel meets the frame to ensure that it does not wobble.

Check the spokes to ensure that they are not broken.



Check that the release lever is retracted, wheel axis retaining ball is locked and wheels are not come out.



WARNING

- There may be the risk of wheel come out during operation if wheel mounting is imperfect. Check wheels to ensure that wheels are not come out before use.

(5) Casters

Check to ensure that the casters are Min. size 6”.

Check to ensure that there is tire depth.

Check the tires to ensure that they are not damaged.

Check the caster forks to ensure that there are no cracks in them.

Check the nuts to ensure that they are not loose.



WARNING

- If the air pressure in the rear tires decreases, the parking brakes may become ineffective. Always keep the air pressure in the rear tires at the correct level.
- Continuing to use the wheelchair with a problem in the wheelchair body or the wheels may cause sudden damage to the wheelchair while traveling, and may result in a rollover or fall.
- If you find any unusual condition on the wheelchair in these inspections, contact your dealership.

(6) Battery Bag

Check that cable connectors at left and right sides are connected.

Check that hook-and-loop fastener attaching surface of upper/ lower belts are attached entire surface.

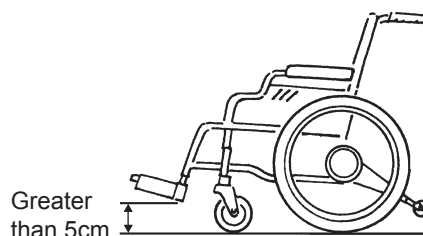
Check that no laxation/ slackness on upper/ lower fixing belts are existed.

(7) Foot Support

Check that the height of foot support is greater than 5cm from the ground surface.

 **WARNING**

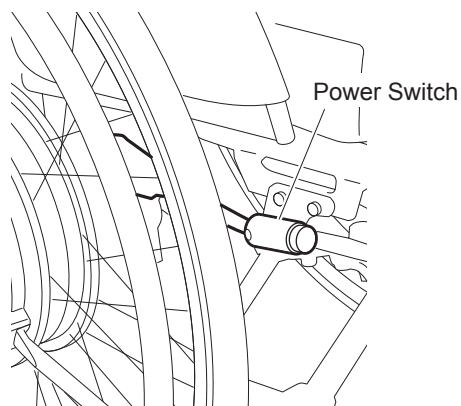
- **Operate the wheelchair with its foot support height greater than 5cm from the ground surface. If the height is too low, foot support may hit rough road surface and obstacles, and there may be the risk of rollover.**



(8) Power Switch

Check that Power Switch is securely fixed on the wheelchair. (Try to swing while gripping entire Power Switch body)

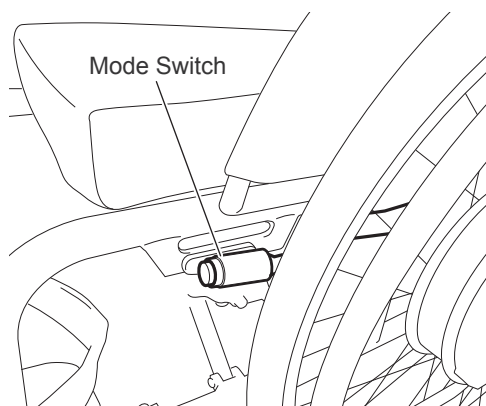
Check that the Power Switch is located at easy handling position.



(9) Mode Switch (Option)

Check that the Mode Switch is securely fixed on the wheelchair. (Try to swing while gripping entire Power Switch body)

Check that the Mode Switch is located at easy handling position.



3.2. Checking Your Clothing

Wear bright-colored, easily visible clothing when operating the wheelchair. Do not operate the wheelchair while wearing clothing that is not suitable for wheelchair use. Refer to “1.5.5. General Operation” (Page 8).



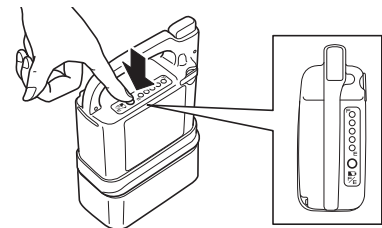
WARNING

- Do not travel with clothing that are not safe for wheelchairs.
If you drive the wheelchair with such clothing, you or other people in your surrounding may become injured.

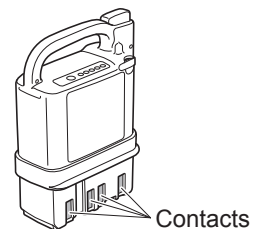
3

3.3. Checking the Residual Capacity of the Battery and Installing the Battery on the Wheelchair

- (1) Press the indicator switch to check the residual capacity of the battery. The residual capacity of the battery will be displayed on the capacity indicator lamps.



- (2) Check the contacts to ensure that they are not dirty or rusted. If the contacts are dirty or severely rusted, the wheelchair may be rendered immobile.

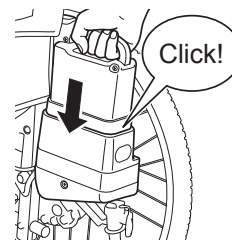


- (3) Install the battery on the wheelchair.

<How to install a nickel metal hydride (Ni-MH) battery>

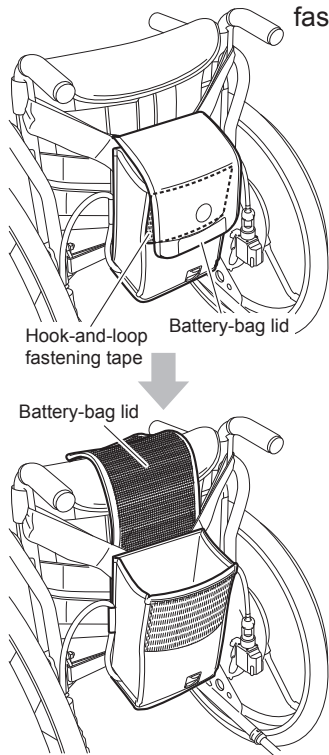
Turn off the power switch

Insert the battery until it clicks into place.

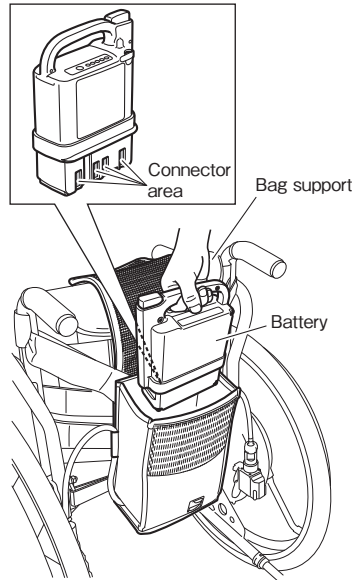


In the case of Battery-bag model, the battery mount is installed inside the Battery-bag. Please open the Battery-bag and set the battery on the mount.

The lid is fixed to the bag using hook-and-loop fastening tape, please release it for opening.

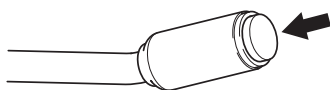


Please set the battery facing the connector area to the bag support side (front side).

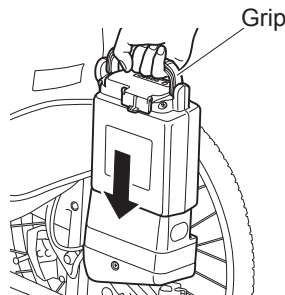


<How to install a lithium ion (Li-ion 00) battery>

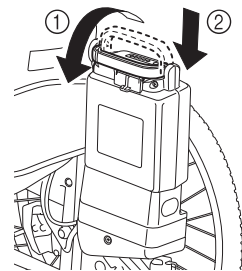
Turn off the power switch.



Insert the battery.



- 1 Pull the grip down to the side.
- 2 Firmly insert the battery.



In the case of Battery-bag model, please open the Battery-bag and insert the Battery into the bag in the same manners as that of Ni-MH Nickel Metal Hydride Battery. After inserting please pull down the grip so that the battery is firmly inserted to the position.



WARNING

- Do not drop or apply an impact to the battery.
This may cause the battery to become damaged, overheat, or rupture.
- Do not insert the battery if the battery slot is dirty or wet.
This may cause a short circuit and lead to a fire or battery rupture.



WARNING

- When handling the lithium ion battery, ensure that you do not pinch your finger with the grip. Doing so may injure your finger.

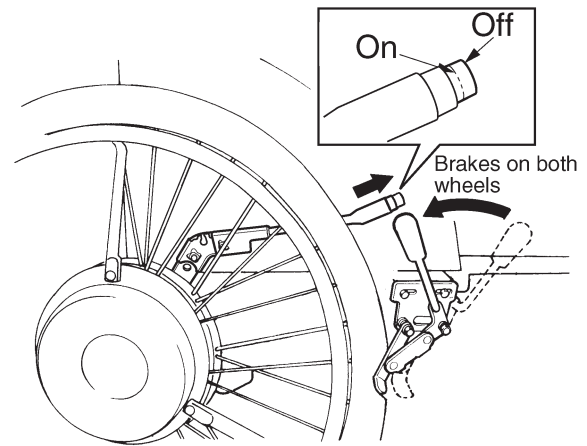
NOTICE

- Do not replace the battery when the power is turned on. Doing so may damage the battery terminals and cause a malfunction.

4. Riding the Wheelchair

4.1. Sitting in the Wheelchair

- (1) Place the wheelchair in a level and stable location and turn off the power switch.
- (2) Apply the parking brakes. If the wheelchair has no parking brakes, the assistant must hold it firmly.
- (3) Get into the wheelchair and firmly sit down so that you will not fall out.

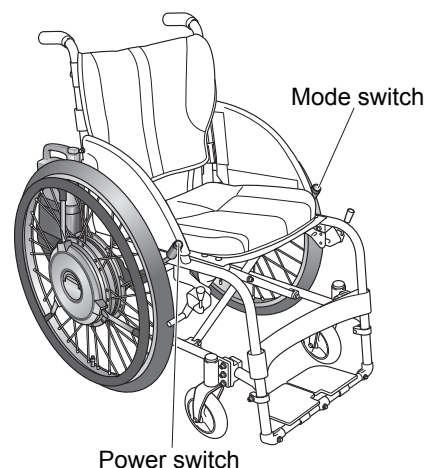


WARNING

- Get into the wheelchair in a level and stable location. If you park the wheelchair on an incline and try to get into it from there, you may lose your balance and fall out.
- If you get into the wheelchair when the parking brakes are released, the wheelchair may move unexpectedly, causing you to fall out and injure yourself. When getting into the wheelchair, make sure that the parking brakes are applied.
- If you are using a wheelchair with no parking brakes, have the assistant hold the wheelchair to ensure that it doesn't move when you are getting into it. If you are getting into a wheelchair with no parking brakes when alone, the wheelchair may move unexpectedly, causing you to injure yourself or those around you.

4.2. Moving the Wheelchair

- (1) Power assist travel becomes enabled by turning on the power switch. When the switch is turned on, both LEDs on the power switch and on the mode switch (optional) flash the same number of times as the number of battery capacity display lamps, after small interval, this action is repeated in twice. In the same time when switch is turned on, the warning lamps installed on the back side of the drive unit also flash to inform the battery capacity in the same manners.



- (2) (Optional) If your E-Move has the mode switch and if necessary, select the running mode with pushing the mode switch. 2(two) kinds of operation mode, Mode 1 and Mode 2 can be selected.

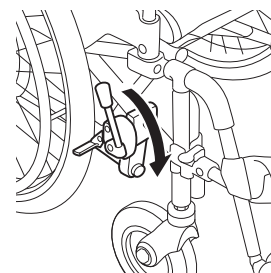
The drive parameters on each modes are set with Smart Tune software. To set parameters, contact your dealer.

Mode 1: Always this Mode 1 is selected when the power is turned on.

LED is "on". Beep once when this Mode 1 is selected.

Mode 2: LED is "off". Beep twice when this Mode 2 is selected.

- (3) Release the parking brakes



- (4) The wheelchair starts to assist with you move the handrim. For beginners, refer to page 40 and 41, and practice the basic operations until you become familiar with them.



TIP If the buzzer sounds and the wheelchair does not assist

If force is applied to the hand rims when turning on the power, a warning beep will be heard and the safety system will be activated, inhibiting travel. Stop applying force to the hand rims, and turn on the power again.

TIP If the buzzer beeps while traveling

While traveling, if the load on the motor is too great, a buzzer (long Pi—, Pi—) sounds continuously.

- (a) Is the live load too great?

The maximum load is 130 kg for E-Move. Do not exceed the maximum load.

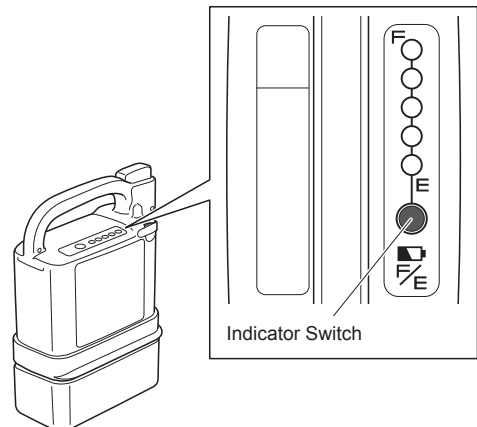
- (b) Are you trying to go up a steep slope?

The practical climbing angle is 6 degrees. Choose a travel route that does not exceed

4.3. Checking the Residual Capacity of the Battery during Operation

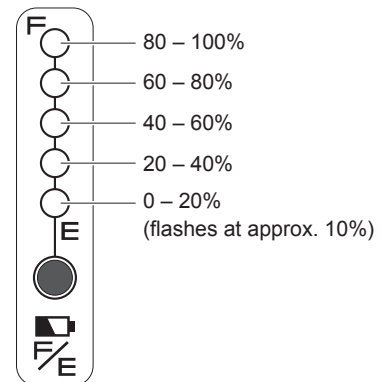
During operation, you can always check the residual capacity of the battery from the battery residual capacity indicator lamp.

- (1) When the battery residual capacity becomes less than 10%, the warning lamp flashes, and a short buzzer beeps “Pi Pi Pi Pi” 4 times.



- (2) Once the battery runs out, the warning lamp turns on, and a long buzzer beeps “Pi—” once and stops.

When you push down the mode switch (optional) and hold it for 2 seconds, both LEDs on the power switch and on the mode switch (optional) start blinking to inform you remaining battery capacity in the same manners when it was firstly switched on. This press down action for 2 seconds will not change the driving mode.



4.4. Other Functions

- (1) Auto power off function

With the power turned on, if the handrims are not operated for 5 minutes, the power turns off automatically. To resume operation, turn the power switch off and then back on.

Auto power off time can be changed. Contact your dealership.



WARNING

- When the buzzer beeps to indicate low battery residual capacity, promptly move to a safe place, turn off power and charge the battery, or replace with a spare battery (sold separately). It is dangerous when you get into a situation where you cannot move with assist power, such as when crossing a road.

4.5. Practicing Basic Operations

(1) Practice the basic operations on a safe, large, level ground.

Basic Operations 1

1 In the beginning, learn how to use the handrim.

- At first, move the handrim slowly.



2 Learn the feel of handrim operation.

- To go slowly, move the handrim slightly.
- To go fast, move the handrim further.
- To stop, move the handrim backward.



3 Try moving in the following manners.

■ Forward and stop



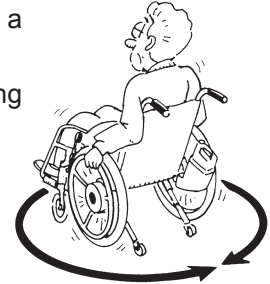
■ Backwards

- Familiarize yourself with the handling and performance characteristics of backward travel.
- Check behind you for safety.



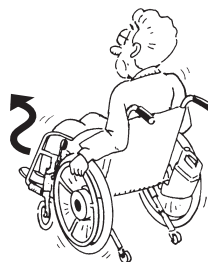
■ Turns

- Make turns on a single spot.
- Practice turning right and left.



■ S-shaped curves

- Practice until you can travel in the desired direction.
- Learn the feel of speed and timing when making turns.



■ Avoid obstructions

- Practice avoiding obstructions.
- Stop before reaching the obstruction.



4 Adjust the maximum speed to medium and fast speeds, and practice in the same way.

NOTICE

- If there is an assistant, use caution to prevent colliding into him or her when moving backward.

(2) Practice in an actual location where you intend to use the wheelchair.

Basic Operations 2

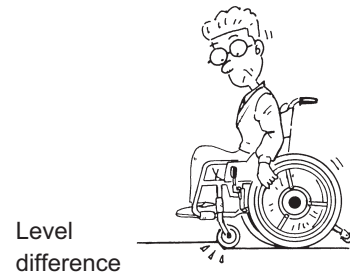
1 Sidewalk

- Be careful not to bump into pedestrians and obstructions.
- Adjust your operation to suit the road surface conditions.



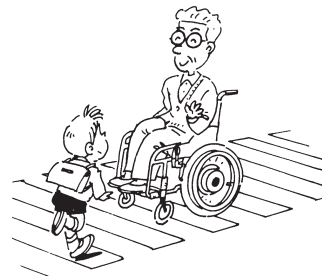
2 Up and down a level difference

- Learn how to safely maneuver up and down a curb and know the limits.
- Stop your wheelchair before a curb, and then proceed carefully.



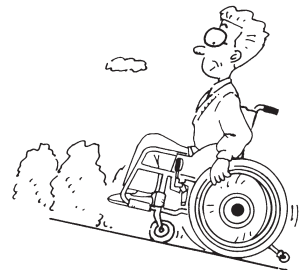
3 Crosswalk

- Allow sufficient time to cross the road at a crosswalk.
- Be careful with the curb between the road and the sidewalk.



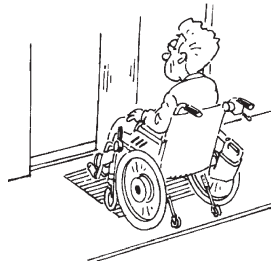
4 Slope

- Get the feel of riding up and down a slope.
- Restart carefully on an uphill.



5 Automatic door

- Practice at the proper stopping position.



6 Case of Crossing a Slope

- Practice one side operation on the slope.
- Be careful specifically at steep slope.



TIP Check the condition of the road you frequently use on wheelchair on a daily basis.

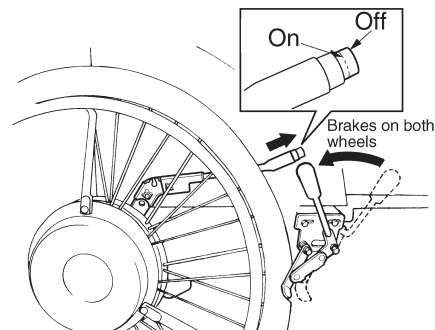
Is there a large level difference, steep slope, or rough road?

Try to travel on a route that does not pass through such dangerous locations.

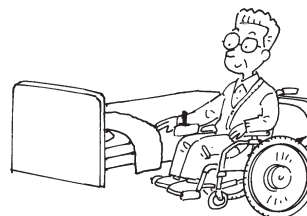
5. After You are Finished Riding the Wheelchair

5.1. Getting out of the Wheelchair

- (1) Park the wheelchair on a flat location.
- (2) Turn off the power switch.



- (3) Apply the parking brakes.
- (4) Get off the wheelchair onto a bed, etc.

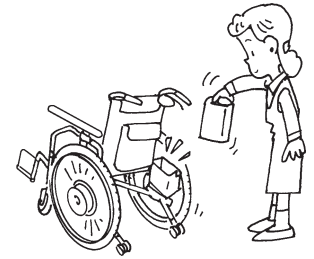


WARNING

- After you are done traveling in power assist mode, be sure to turn the power off. If the power is on when you get off the wheelchair, your body may hit against the handrim, causing it to start moving, and you or other people in your surrounding may get injured.
- Get off the wheelchair in a level and stable location. If you park the wheelchair on an incline and try to get off it from there onto a bed or a chair, you may lose your balance and fall off the wheelchair.
- If you get off the wheelchair with the parking brakes released, the wheelchair may move unexpectedly, causing you to fall off and injure yourself. When getting off the wheelchair, make sure that the parking brakes are applied.

5.2. Removing the Battery

Disconnect the battery from the wheelchair.
Store the battery with the protective cap on it.

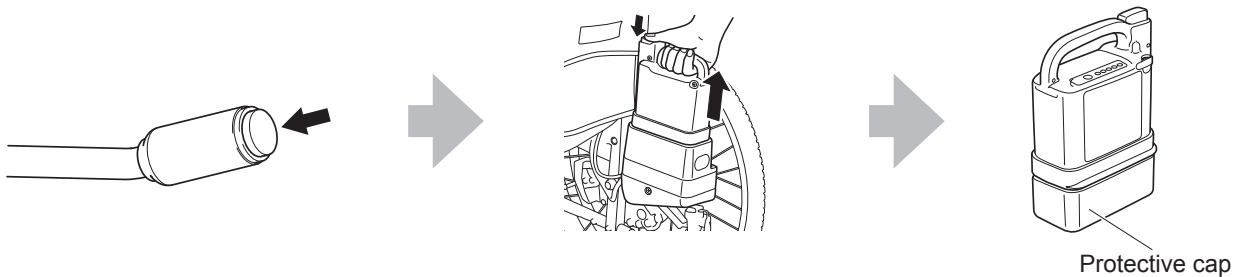


<How to remove a nickel metal hydride (Ni-MH) battery>

Turn off the power switch.

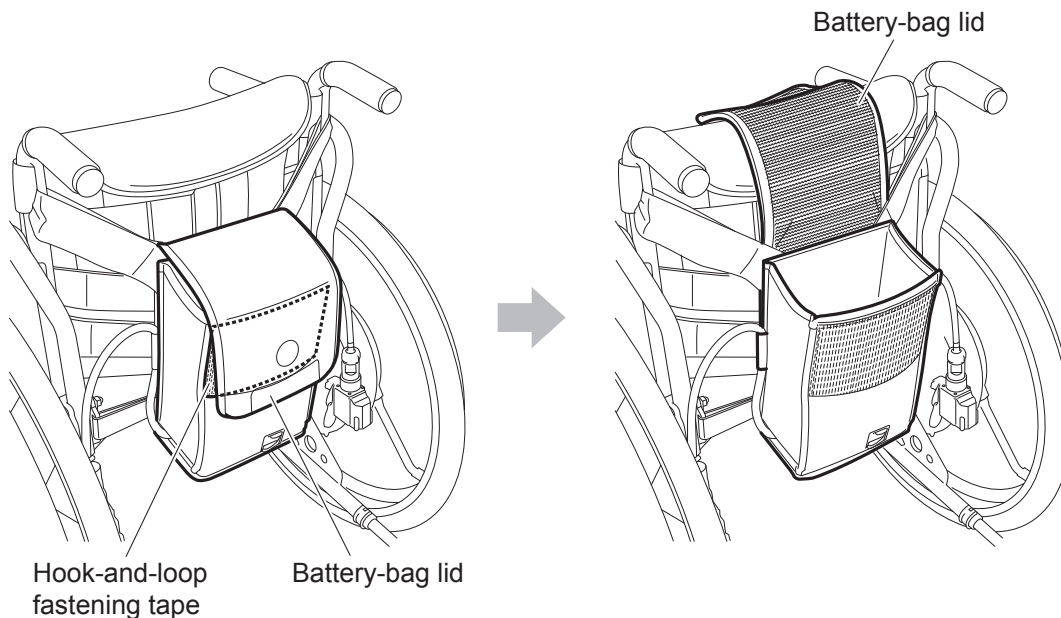
Disconnect the battery by pulling it straight outwards while pressing the release button.

Store the battery with the protective cap on it.



In the case of Battery-bag model, the battery is installed inside the Battery-bag.
Please open the Battery-bag and take the battery out.

The lid is fixed to the bag using hook-and-loop fastening tape, please release it for opening.

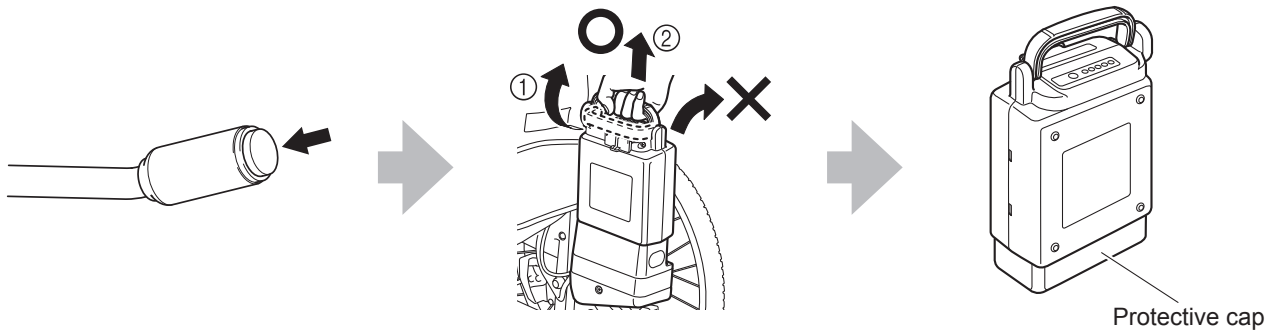


<How to remove a lithium ion (Li-ion 00) battery>

Turn off the power switch.

- 1 Stand the grip upright.
- 2 Disconnect the battery by pulling it straight outwards. (Do not pull it out on an angle.)

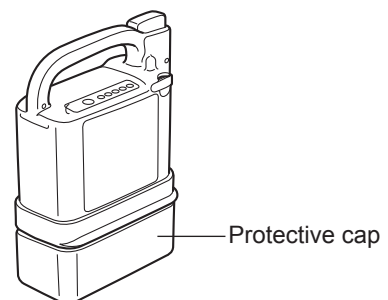
Store the battery with the protective cap on it.



In the case of Battery-bag model, please open the Battery-bag and take out the battery in the same manners as that of Ni-MH Nickel Metal Hydride Battery.

WARNING

- Be sure to store the disconnected battery with the protective cap on it. Exposed contacts can cause short circuits and lead to a fire or battery rupture.

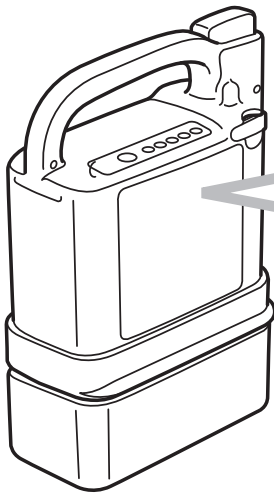


6. Handling the Batteries and Chargers

6.1. Types of Batteries

There are two types of batteries you can use for E-Move.

Since the batteries differ in characteristics and charging method, first check the battery type you want to use.



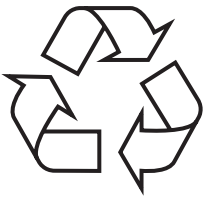
Check the label on the battery.

The label on the nickel metal hydride battery shows “Ni-MH”.

The label on the lithium ion battery shows “Li-ion 00”.

The nickel metal hydride and lithium ion batteries each come with its own charger.

Read “7. Nickel Metal Hydride Battery and Charger” if you are using a nickel metal hydride battery, and “8. Lithium Ion Battery and Charger” if you are using a lithium ion battery.



Recycling the battery

The battery for E-Move is a recyclable battery that contains valuable resources. Contact the dealer to recycle your used batteries.

6

6.2. Maintenance

Always keep the contacts of the battery and charger clean. If the contacts are dirty, wipe them using a dry towel. Do not use a wet towel or touch the contacts directly. Otherwise, electric shock could result. If the exterior of the battery or charger is dirty, wipe it using a towel. If the dirt is excessive, use a tightly wrung-out towel.

6.3. Warnings and Notes for Battery Handling

WARNING

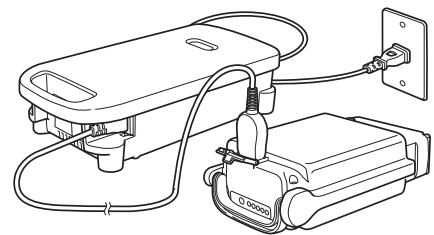
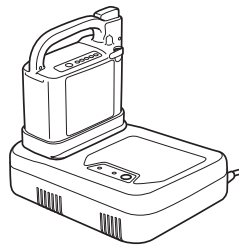
- If you mishandle either of these batteries or their chargers, it may result in heat generation, rupture, electric shock, or injury. Be sure to adhere to the items below.

If the battery or the charger is deformed or has an unusual odor, or if you notice any other abnormality, do not use the battery.

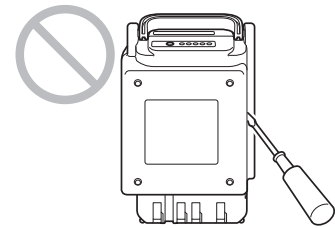
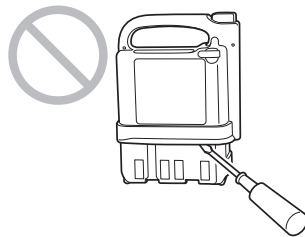
When inserting or removing the lithium ion battery, be careful not to pinch your finger with the grip. Otherwise, you may injure your finger.

Do not touch the metal terminals of the battery or charger directly with your fingers or clean the terminals with a wet towel. Otherwise, electric shock or a short circuit could result.

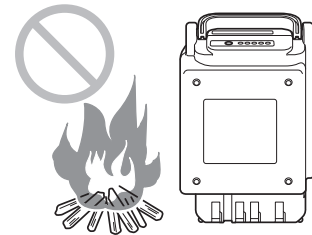
Do not recharge the battery using a charger other than the designated charger, or use the battery on anything other than the specified wheelchair.



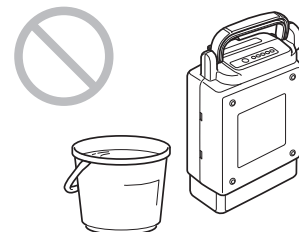
Do not disassemble or modify the battery.



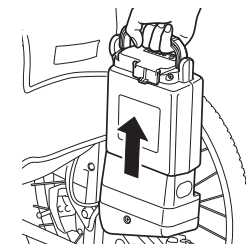
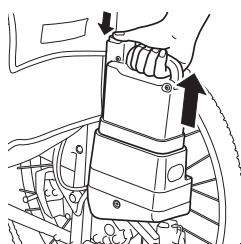
Do not place the battery near an open fire or throw it into a fire.



Do not place the battery in water, or splash water on it.



When transporting the wheelchair, in an automobile, for example, remove the battery from the wheelchair.





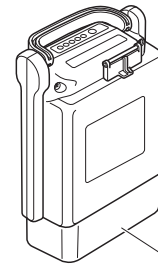
WARNING

- If you mishandle either of these batteries or their chargers, it may result in heat generation, rupture, electric shock, or injury. Be sure to adhere to the items below.

Do not short the terminals of the battery with wires or other metals. Always put on the protective cap when the battery is not in use.

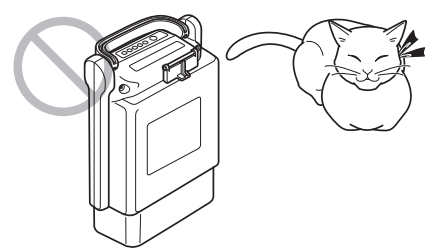
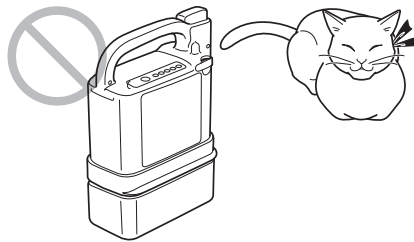


Protective cap

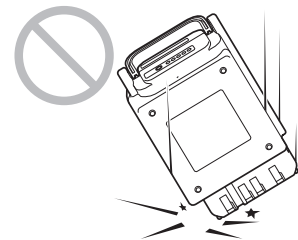
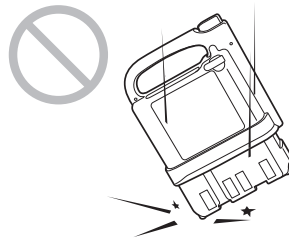


Protective cap

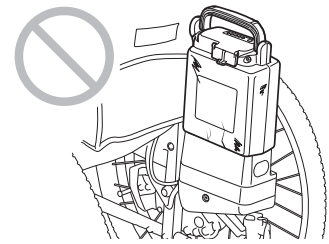
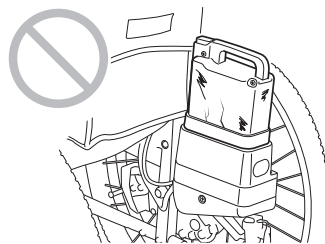
Do not store the battery in a place where children or pets could come near it.



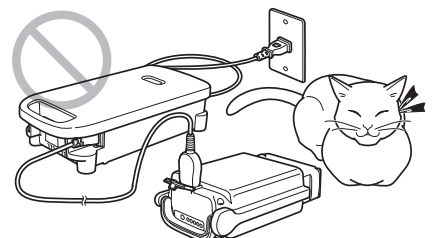
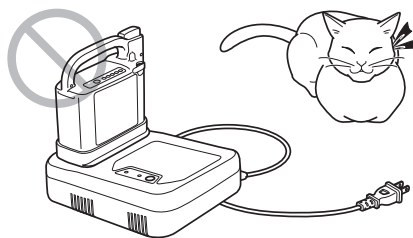
Do not drop or apply impact to the battery.



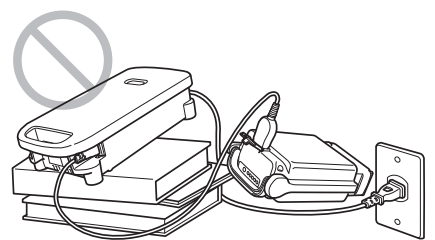
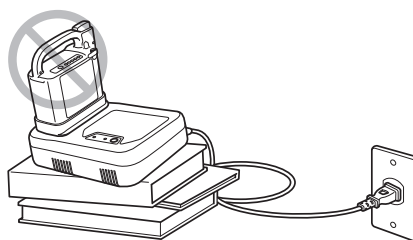
Do not use a broken or damaged battery.



Do not charge the battery in a place where children or pets could come near it.



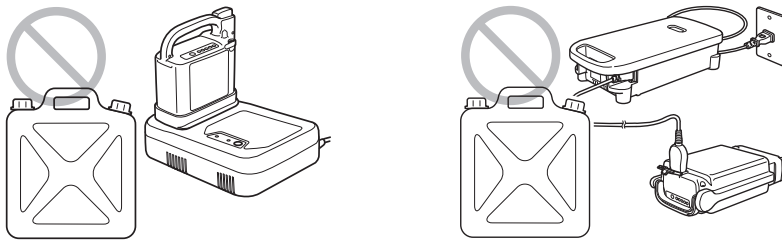
Use the charger on a level surface. After use, do not keep it plugged into the power outlet.



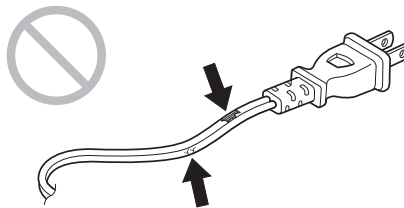
! WARNING

- If you mishandle either of these batteries or their chargers, it may result in heat generation, rupture, electric shock, or injury. Be sure to adhere to the items below.

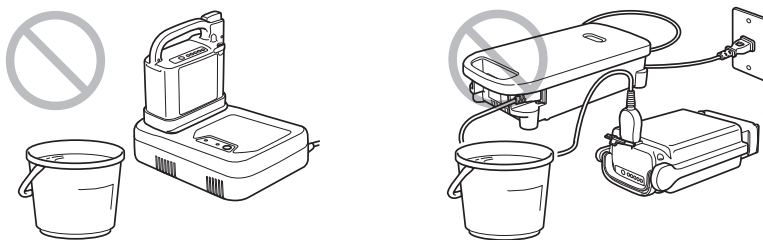
Do not use the charger outdoors or near any flammable object.



Do not use a damaged cord.



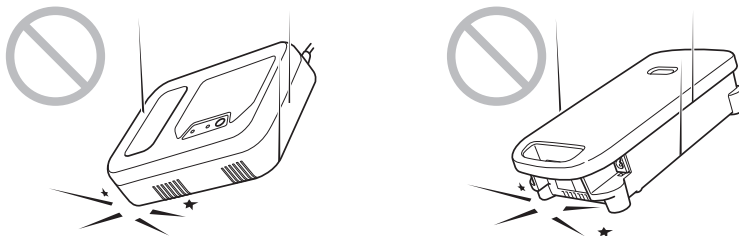
Do not place the charger in water, or splash water on it.



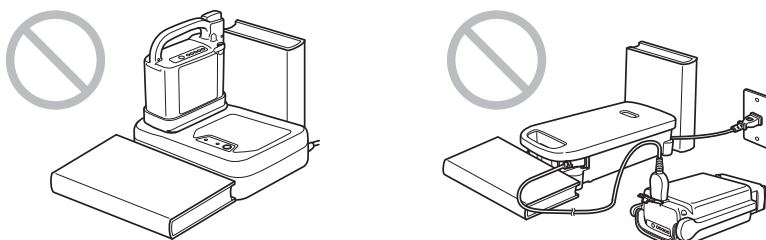
Do not disassemble or modify the charger.



Do not drop or apply impact to the charger.



While charging, do not block the intake and exhaust vents of the charger. Make space for the heat radiation.



7. Nickel Metal Hydride Battery and Charger

7.1. Features of the Nickel Metal Hydride Battery (JWB2)

- Equipped with Battery Management Control System (BMC). (built-in microprocessor)
This is an internal microcomputer system that uses a computer to track charge/discharge status, operating conditions, and temperature.
- An environmentally-friendly battery that does not contain mercury or cadmium.
- Compact but high capacity. (Capacity: 24 V×6.7 Ah)

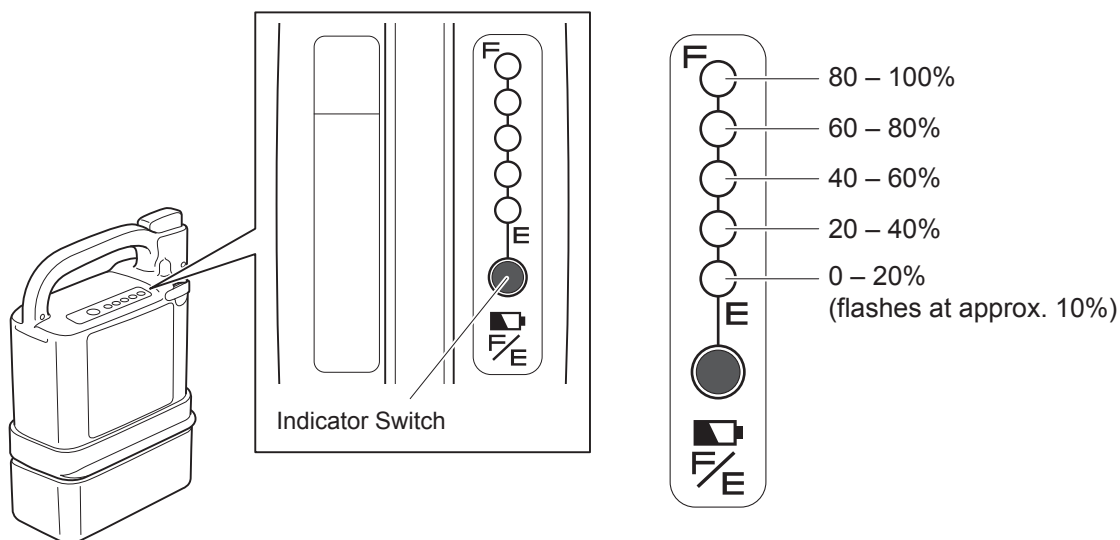
7.2. How to Use the Nickel Metal Hydride Battery (JWB2)

- (1) Attaching and removing the battery to and from the wheelchair

For instructions on attaching and removing the battery to and from the wheelchair, see “3. Before Sitting in the Wheelchair” and “5. After You are Finished Riding the Wheelchair”.

- (2) Checking the residual capacity of the battery

Press the indicator switch to display the battery’s residual capacity.



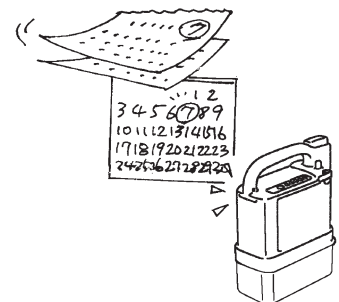
- (3) Storing the battery

Store batteries in a cool, dry area. (A location with temperature between 10°C – 25°C is optimal for storing.)

Fully charge the battery that you do not plan to use for a long period of time. (30 days or more)

If you intend to store the battery for more than 3 months without using it, fully charge the battery every 3 months.

Always put on the protective cap when storing the battery.



7.3. Characteristics and Handling of the Nickel Metal Hydride Battery (JWB2)

(1) Ambient temperatures

Depending on the ambient temperature, the distance that can be traveled becomes shortened. In order to maximize the battery's performance, it is recommended that you use the battery under the following conditions.

When in use on the wheelchair:

Temperature range between 0 to 35°C (32 – 95 °F)

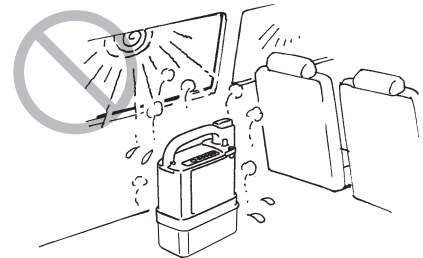
When removed from wheelchair and stored:

Temperature range between 10 to 25°C (50 – 77 °F)

When charging:

Temperature range between 10 to 25°C (50 – 77 °F)

- Storing the battery in excessively high or low temperatures will speed up its degradation, and its capacity will rapidly decrease.
- Using the wheelchair in excessively low temperatures will cause the battery capacity to rapidly decrease. For information on degradation, see “Battery's deterioration characteristics” on the next page.



(2) Memory effect and refresh charging

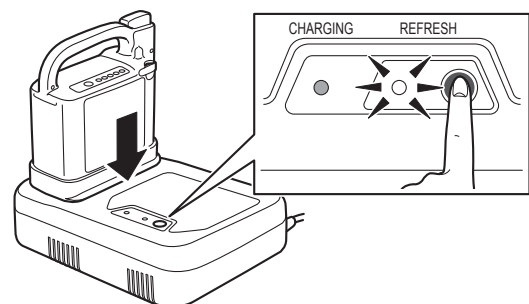
When shallow discharging and charging cycle is performed repeatedly on a nickel metal hydride battery, a phenomenon called the memory effect occurs, in which the actual usable capacity decreases.

The memory effect can be prevented and eliminated by fully discharging the battery and then recharging (refresh charging).

When recharging, if the refresh lamp on the charger flashes, press the refresh button to perform a refresh charge cycle.

Refresh charging takes longer than normal charging.

For details on refresh charging, refer to “7.5. Refresh Charging the Nickel Metal Hydride Battery (JWB2)” (Page 55).



(3) Battery's deterioration characteristics

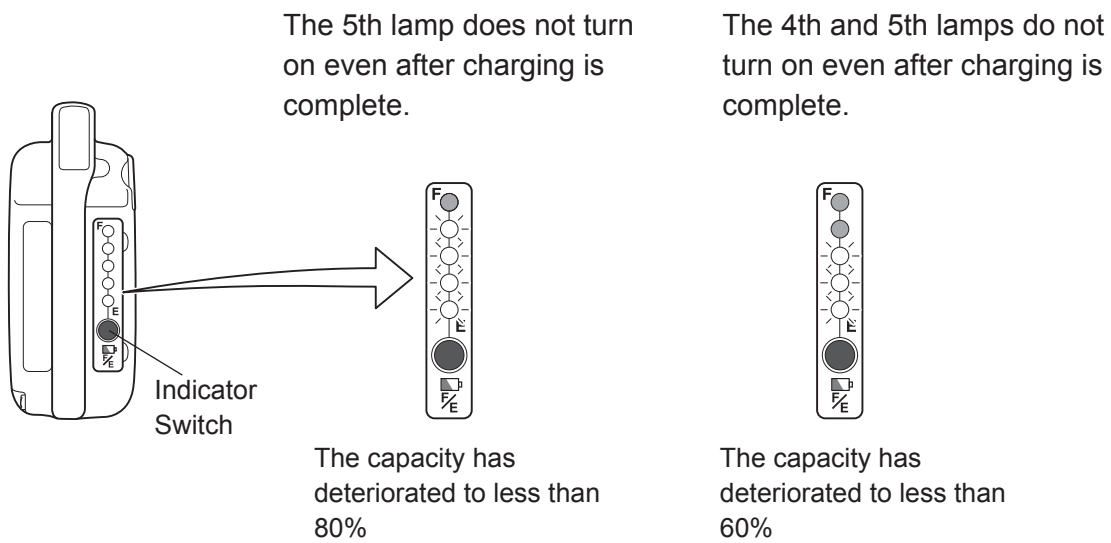
All batteries are consumables. A battery gradually deteriorates and its capacity decreases over time and with use.

The extent to which the capacity decreases by deterioration depends on the use conditions. For a nickel metal hydride battery, it's capacity will decrease to approximately 60% of that of a new battery after 300 charge/discharge cycles, under normal use.

Even if a battery is not used, when it is stored over a long period of time, it will deteriorate and its capacity will decrease.

When you are using multiple batteries, alternate between the batteries.

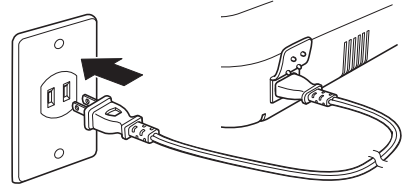
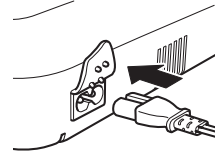
The extent of the deterioration of a nickel metal hydride battery can be checked after charging is done, by pushing the indicator switch.



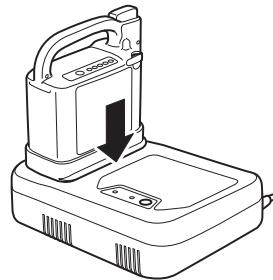
● : Off ☼ : On ✨ : Flashing

7.4. How to Charge the Nickel Metal Hydride Battery (JWB2)

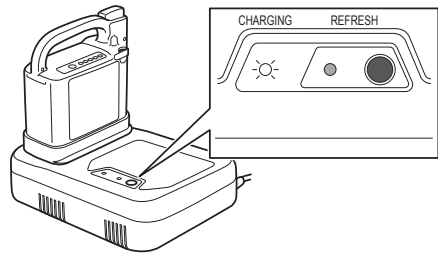
- (1) Insert the power cord to the dedicated charger (JWC-2) and plug into the residential power outlet.



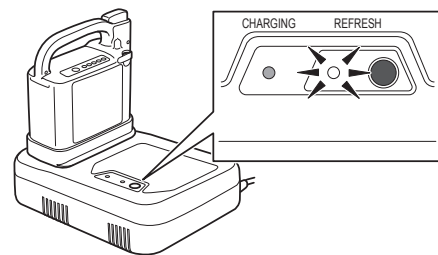
- (2) Insert the battery into the charger as shown in the diagram.



- (3) Charge lamp (green) on the charger turns on, and the battery starts charging.



If the charge lamp (green) does not turn on, and the refresh lamp (orange) flashes, refer to “7.5. Refresh Charging the Nickel Metal Hydride Battery (JWB2)” (Page 55).



Assuming the charging process started from an empty state, the time it takes from start to completion of the charging process is typically 2.5 to 3 hours.

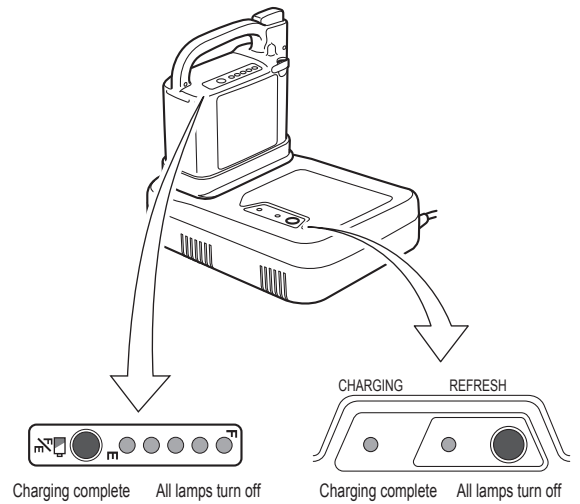
If charging in a location with high temperature or if charging a brand new battery, this may take longer.

● : Off

☉ : On

☼ : Flashing

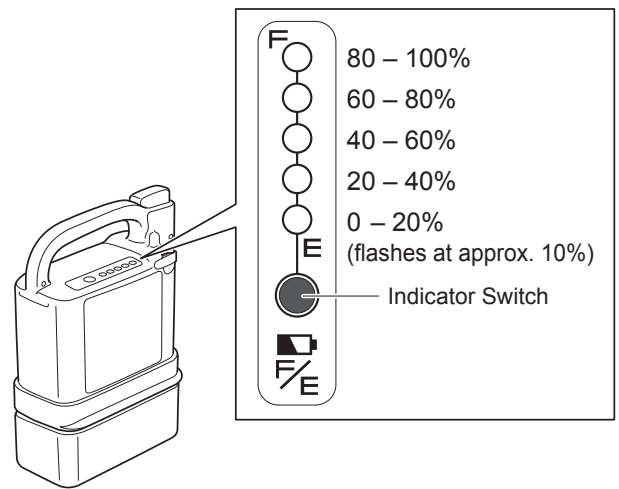
- (4) Check to ensure that charging is complete. When charging is complete, the battery capacity indicator lamp and the charge lamp (green) on the charger turn off.



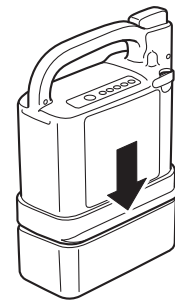
After charging complete, you can check the charged capacity by pressing the battery indicator switch.

If not all of the lamps turn on, the following could have occurred:

- While charging, the temperature of the battery rose excessively, causing the protection mechanism to abort the charging process.
 - The battery deterioration has advanced and the capacity is decreasing.
- and so on.



- (5) Unplug the power cord from the power outlet.
- (6) Remove the battery from the charger. If you want to store the battery in this state, put the protective cap on.



WARNING

- Be sure to store the disconnected battery with the protective cap on it. Exposed contacts can cause short circuits and lead to a fire or battery rupture.

NOTICE

- Do not pull on the power cord. This can cause the wires to break.

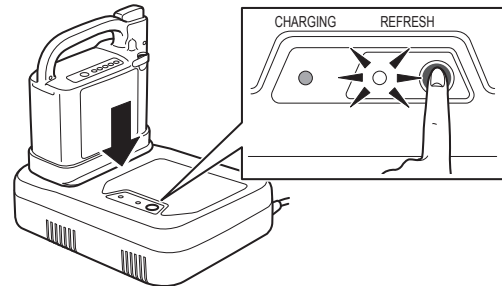
TIP If you are unable to charge the battery
Refer to “13. Troubleshooting” on page 86

7.5. Refresh Charging the Nickel Metal Hydride Battery (JWB2)

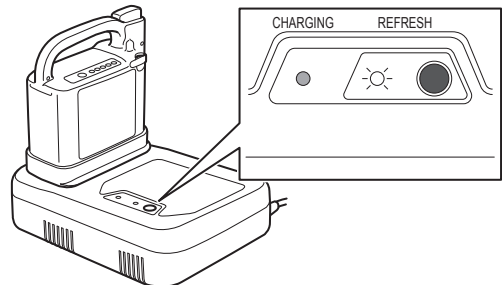
A refresh charging is required on a nickel metal hydride battery to eliminate the memory effect. When the battery is inserted to the charger, if the refresh lamp on the charger flashes, press the refresh switch to perform a refresh charge cycle. (The refresh lamp flashes after every 20 to 30 charge cycles.)

(1) While the refresh lamp (orange) is flashing, press the refresh switch.

- The refresh lamp (orange) flashes only when refresh charging is needed.



(2) The refresh lamp (orange) is flashes, and the refresh charging starts.



In a refresh charging process, after all remaining electricity has been discharged, the refresh lamp turns off. The charge lamp lights up and a normal charging process begins. The time it takes from the start of refresh charging to the completion of normal charging is 3 – 13 hours.

- If the temperature of the battery rises during a refresh charge, the charge lamp (green) may flash and the charging process may pause. When the battery reaches an appropriate temperature, the charge lamp will stop flashing and charging will start automatically.
- Even if you fail to press the refresh switch, you can retry by momentarily removing the battery from the charger, and then reinserting the battery to see the refresh charging alert.
- If you do not press the refresh switch while the refresh lamp (orange) is flashing, the flashing refresh lamp will turn off after 1 minute. Then the charge lamp lights up and a normal charging process begins. In this case, the refresh lamp flashes again the next time you charge the battery.

TIP Tips on charging

- It is recommended that you charge the battery while you are sleeping.
- Since the refresh charging process recharges after discharging all of its remaining electricity, it will take a long time if you perform it on a battery with a high residual capacity. It is recommended that you perform a refresh charging on a battery that is drained as much as possible.

● : Off

☉ : On

☼ : Flashing

7.6. The Temperature of the Nickel Metal Hydride Battery (JWB2) during Charging

Charge the battery in an environment with a temperature of 10 to 25°C (50 to 77°F).

- To protect the battery, if the internal temperature of the battery is under 0°C (32°F) or over 40°C (104°F), charging does not start. Instead, it enters a standby mode. During this time, the charge lamp (green) flashes.

While in standby mode, when the battery reaches an appropriate temperature, the charge lamp will change from a flashing to an “on” state, and charging will start automatically. (The length of the standby time varies with conditions.)

If you perform a refresh recharge when the internal temperature of the battery is under 0°C (32°F) or over 40°C (104°F), it may enter a standby mode as it goes into normal charging after discharging the remaining electricity.

- The battery temperature increases during charging. However, the charger will stop charging if the battery temperature rises above 50°C (122°F), and the power for the charger will turn off.

Since charging has not ended, it is necessary to charge again after the battery temperature has decreased.

Charging a battery immediately after travel, or charging a new battery is likely to cause its temperature to increase, which increases the likelihood of the charger stopping charging before completion.

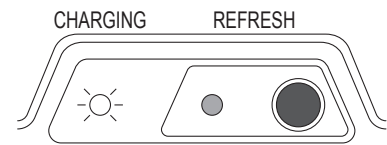
- A cooling fan operates automatically if the charger temperature increases during charging. While charging, do not block the intake and exhaust vents of the charger.

7.7. Charger (JWC-2) Indicator Lamps

- (1) Charge lamp (green) is on

Indicates normal charging.

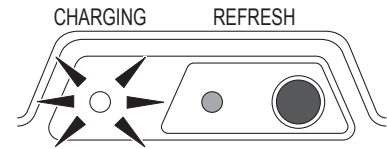
The charge lamp will turn off after charging is completed.



- (2) Charge lamp (green) is flashing

Charge standby

- When the temperature of the battery is not within the chargeable range (0 to 40°C, 32 to 77°F), the charger enters a standby state and the charge lamp (green) starts flashing.
- Once the battery temperature falls within the chargeable range, charging will start automatically and the charge lamp (green) changes from a flashing to an “on” state. However, if the charge time continues for a long time, charging will end, and the power for the charger will turn off.

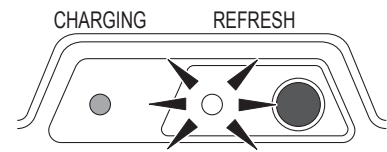


- (3) Refresh lamp (orange) is flashing

Refresh charging is being requested.

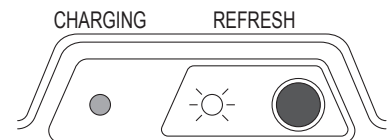
While the refresh lamp is flashing, press the refresh button to perform a refresh charge cycle.

If you do not press the refresh button, a normal charging begins after 1 minute.



- (4) Refresh lamp (orange) is on

The remaining electricity is being discharged as part of the refresh charging process. When the discharge has completed, normal charging will start.



● : Off

☀ : On

☀ : Flashing

8. Lithium Ion Battery and Charger

8.1. Features of the Lithium Ion Battery (ESB1)

- Has a higher energy capacity compared to the nickel metal hydride battery.
- Equipped with Battery Management Control System (BMC).
(built-in microprocessor)

This is a system that uses a computer to track charge/discharge status, operating conditions, and temperature.

- Even with repeated shallow discharge/charge cycles, it is difficult for the memory effect to occur. Therefore, refresh charging is not necessary, and its charges can be replenished additively.
- An environmentally-friendly battery that does not contain mercury or cadmium.
- Compact but high capacity. (25 V × 11.8 Ah)

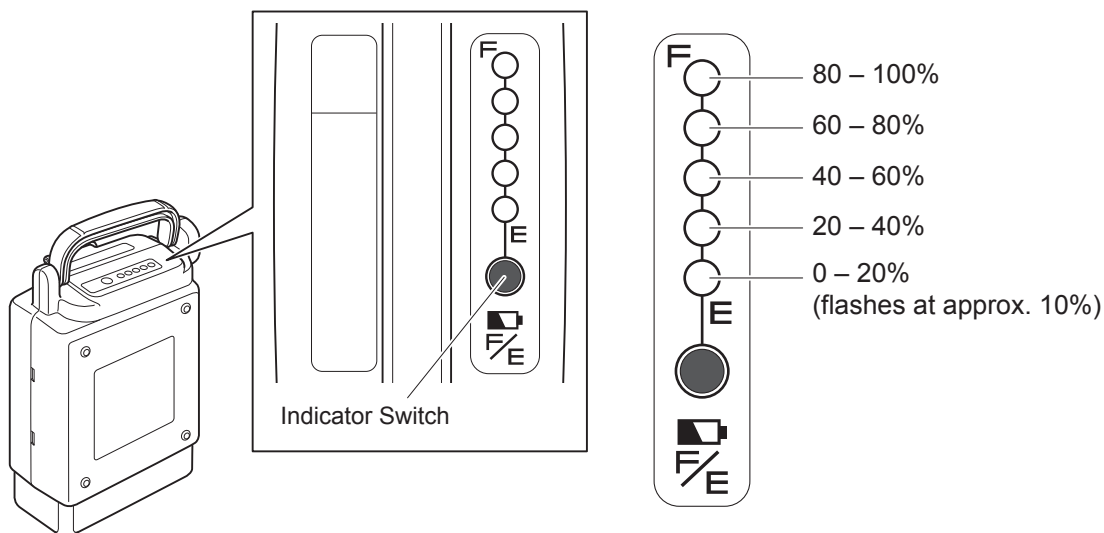
8.2. How to Use the Lithium Ion Battery (ESB1)

- (1) Attaching and removing the battery to and from the wheelchair

For instructions on attaching and removing the lithium ion battery to and from the wheelchair, see “3. Before Sitting in the Wheelchair” and “5. After You are Finished Riding the Wheelchair”.

- (2) Checking the residual capacity of the battery

Press the indicator switch to display the battery’s residual capacity.

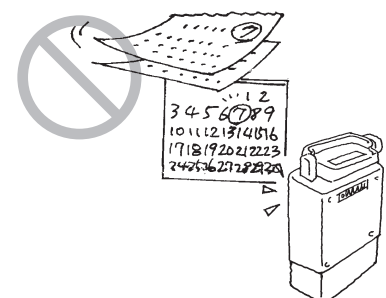


- (3) Storing the battery

Store batteries in a cool, dry area. If you are not planning on using the battery for a long period of time (30 days or more), charge it so that the 3 of the capacity indicator lamps light up, and then store it.

To store the battery without using it for over 3 months, check every 3 months to see if all 3 capacity indicator lamps light up. If 2 or less lamps turn on, charge the battery until 3 lamps turn on.

Always put on the protective cap when storing the battery.



8.3. Characteristics and Handling of the Lithium Ion Battery (ESB1)

(1) Ambient temperatures

Depending on the ambient temperature, the distance that can be traveled becomes shortened. In order to maximize the battery's performance, it is recommended that you use the battery under the following conditions.

When in use on the wheelchair:

Temperature range between 0 to 35°C (32 to 95 °F)

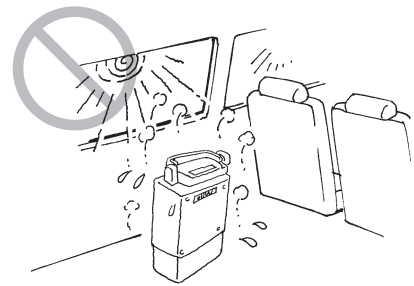
When removed from wheelchair and stored:

Temperature range between 10 to 25°C (50 to 77 °F)

When charging:

Temperature range between 10 to 25°C (50 to 77 °F)

- Storing the battery in excessively high or low temperatures will speed up its degradation, and its capacity will rapidly decrease.
- Using the wheelchair in excessively low temperatures will cause the battery deterioration to speed up and its capacity to rapidly decrease. For information on degradation, see "Battery's deterioration characteristics" on the next page.



TIP While traveling, if the internal temperature of the lithium ion battery becomes too high or too low, a buzzer will notify you.

- When using a lithium ion battery, a buzzer will beep (continuous Pi Pi Pi Pi) if the battery's internal temperature drops to 0°C (32°F) or below, or rises to 45°C (113 °F) or above for 5 seconds.
- When the buzzer beeps, promptly return to the environment within the recommended range of operational temperatures, and use the battery there.
- When descending down a slope on the wheelchair, the drive motor, contrary to normal operation, generates electricity and charges the battery. Charging a lithium ion battery when its temperature is 0°C (32 °F) or below/45°C (113 °F) or above causes its deterioration to progress extremely rapidly. For this reason, when you are descending down a slope in such temperatures, the wheelchair may stop moving to protect the battery.

When this happens, you will hear 5 long beeps before the wheelchair stops, and then another long beep 10 seconds later as the wheelchair stops.

(2) Battery's deterioration characteristics

All batteries are consumables. A battery gradually deteriorates and its capacity decreases over time and with use.

The extent to which the capacity decreases by deterioration depends on the use conditions.

Even if a battery is not used, when it is stored over a long period of time, it will deteriorate and its capacity will decrease.

When you are using multiple batteries, alternate between the batteries.

TIP Immediately after the lithium ion battery has successfully completed charging (fully charged), pushing the indicator switch will always show all 5 lamps lit. Even if deterioration has progressed, all 5 lamps should turn on when fully charged. This display format was adapted for this battery, as the rate of deterioration of lithium ion batteries is gradual.

(3) The life of the lithium ion battery

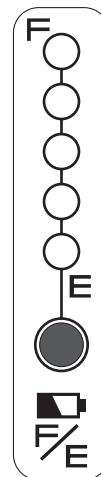
The life of the lithium ion battery (ESB1) is 8 years from its initial charging, or 8,000 Ah of integral charge capacity.

- Battery life alert

The capacity indicator lamp starts alerting you from 3 months prior to the battery becoming no longer chargeable due to its end-of-life, or when the integral charge capacity reaches 7,800 Ah. When charging has completed and the charge plug is unplugged, the capacity indicator lamp turns on and off as shown in the figure on the right.

- When the battery reaches end of life

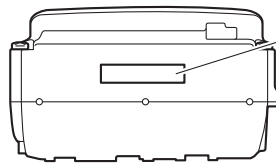
Once the battery reaches its end of life, the lamp on the charger will not turn on when attempting to charge the battery. Moreover, the battery's capacity indicator lamp no longer turns on and the battery cannot be charged.



The capacity lamp turns on and off for 5 seconds, in the order of the arrows.

TIP If you forget the date you started to use the lithium ion battery.

The battery's manufactured date is printed on its bottom. Use it as a reference.



130425

Manufactured April(4) 25, 2013

- The start date of battery usage is defined as the date the user charged the battery for the first time after shipment from the factory.
(This does not match the manufactured date above.)
- Once the integral charge capacity reaches 8,000 Ah, the battery will not be usable even if it has not been 8 years.
* 8,000 Ah the integral charge capacity is approximately 700 times the capacity of the "ESB1" lithium ion battery (hence equivalent to approximately 700 charge cycles, when fully charged from 0 residual capacity).

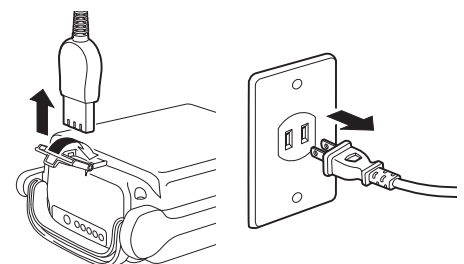
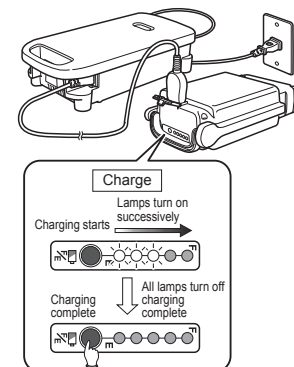
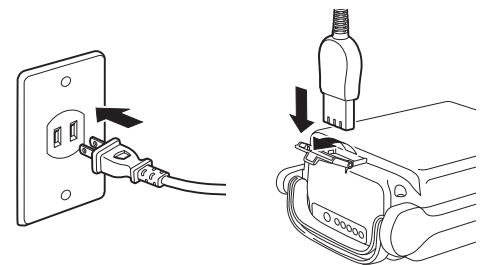
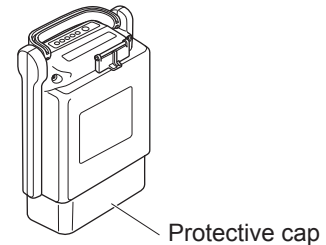
8.4. How to Charge the Lithium Ion Battery (ESB1)

There are two ways to charge the battery; by removing it from the wheelchair (tabletop charging), or while it is still attached to the wheelchair (on-vehicle charging).

8

(1) Charging the Battery out of the Unit (Tabletop Charging)

- 1 Check that the protective cap is on the battery.
If there is not, be sure to attach the protective cap.
- 2 Insert the power cord to the dedicated charger (ESC1) and plug into the residential power outlet.
- 3 With battery resting on its side, open the connector cover, and insert the charge plug into the charge connector on the battery.
- 4 Check that the charge lamp (green) on the charger turns on.
If the charge lamp does not light green, see “8.6. Charger Indicator Lamps” (page 64).
- 5 While charging, you can check the charge status of the battery on the charge lamp.
The charge lamp will turn off after charging has completed.
Assuming that charging started with the battery in an empty state, the time to completion is typically 4.5 hours.
- 6 After charging has completed, unplug the charge plug and the power plug, then securely close the battery’s connector cover.



(2) Charging the Battery Attached to the Wheelchair (On-vehicle Charging)

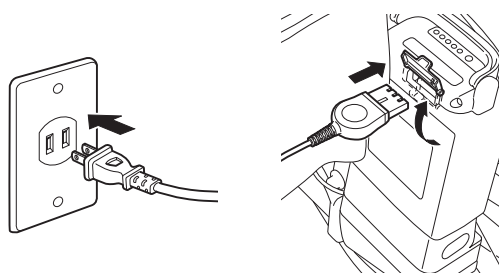
- 1 Prepare for charging.

Remove any bags and luggage from the backrest, and anything else that can potentially tangle the charge cable. Park the wheelchair indoor on a level floor, apply the parking brakes, and set the left and right clutch levers in the power driver position.

- 2 Turn off the power switch on the wheelchair. As a safety measure, during on-vehicle charging, the wheelchair will not power on even if it is switched on.

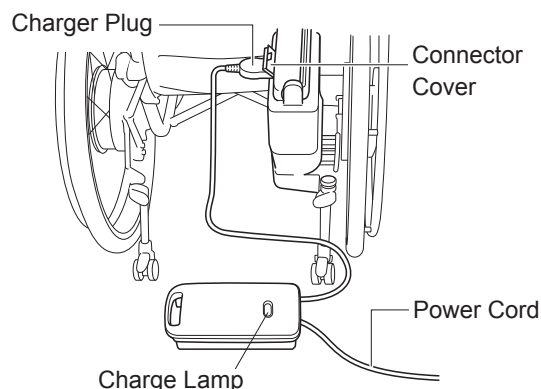


- 3 Insert the power cord to the dedicated charger (ESC1) and plug into the residential power outlet.



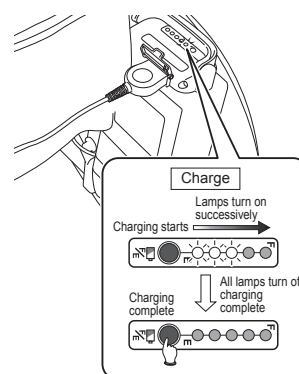
- 4 Insert the charging plug into the charging connector of the battery.

- 5 Check that the charge lamp on the charger lights up green. If the charge lamp does not light up green, refer to “8.6. Charger Indicator Lamps” (page 64).

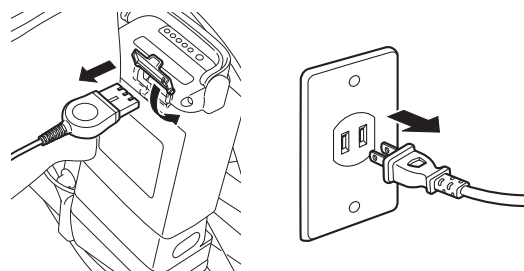


- 6 While charging, you can check the charge status of the battery on the indicator lamp. The indicator lamp will turn off after charging has completed.

Assuming that charging started with the battery in an empty state, the time to completion is typically 4.5 hours.



- 7 After charging has completed, unplug the charge plug and the power plug, then securely close the battery's connector cover.



8.5. The Temperature of the Lithium Ion Battery (ESB1) during Charging

Charge the battery in an environment with a temperature of 10 to 25°C, (50 to 77°F)

- To protect the battery, if the internal temperature of the battery is under 0°C (32°F) or over 40°C (104°F), charging does not start. Instead, it enters a standby mode. During this time, the charge lamp (green) flashes.

While in standby mode, when the battery reaches an appropriate temperature, the charge lamp will change from a flashing to an “on” state, and charging will start automatically. (The length of the standby time varies with the conditions.)

- The battery temperature increases during charging. However, if the battery temperature rises above 45°C (113°F) the power for the charger will turn off to protect the battery.

Since charging has not ended, it is necessary to charge again after the battery temperature has decreased.

Charging a battery immediately after travel, or charging a new battery is likely to cause its temperature to increase, which increases the likelihood of the charger stopping charging before completion.

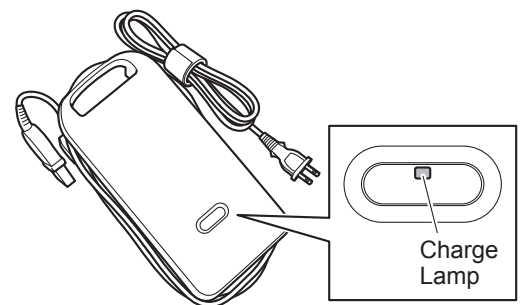
- The heat generated during charging will be radiated from the surface of the charger. While charging, be sure to leave sufficient space around the charger for radiating the heat.

8.6. Charger Indicator Lamps

- (1) Lit green

Indicates normal charging.

The charge lamp will turn off after charging has completed.



- (2) Flashing green
Charge standby

- When the temperature of the battery is not within the chargeable range (0 to 40°C, 50 to 77°F), the charger enters a standby state and the charge lamp starts flashing in green.
- While on standby, once the battery temperature falls back within chargeable range, the charge lamp lights up in steady green and the charger starts charging automatically. However, if charging is on standby for a long time, the charging process is aborted. When this happens, the charge lamp flashes rapidly in green.

- (3) Steady or flashing red

The charger has detected a problem in the charger or the battery, and is unable to charge. Stop charging by disconnecting the charging plug and the power plug. Check the battery, charger, cord connection for any problem, and then try charging again.

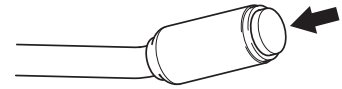
If the charge lamp lights or flashes in red, an equipment failure may have occurred. Stop charging by disconnecting the charging plug and the power plug, and have the equipment inspected by a dealer.

9. Wheelchair Transporting and Storing Instructions

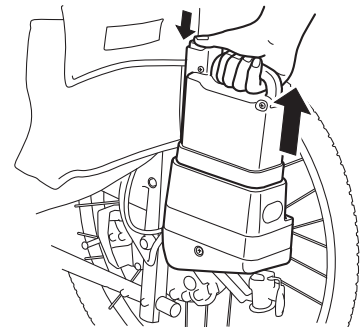
Please refer to the Warnings in “1.5.15. Transporting and Storing the Wheelchair” on page 23 to 25.

9.1. Loading the Wheelchair in a Car

- (1) Turn off the power of the wheelchair.

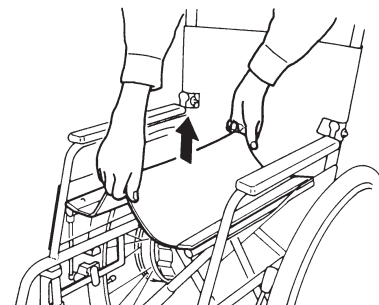


- (2) Remove the battery.
Be sure to remove the battery from the wheelchair so that its power will not turn on unexpectedly during transport.
Be sure to put the protective cap on the removed battery.



- (3) Lock the wheels.
Apply the parking brakes.
- (4) Remove any detachable parts.
Remove the foot-leg supports and any other parts that can be detached.
- (5) Detach the drive units.
If necessary, detach the drive units from wheelchair frame.
Refer to “10.1. Removing and Installing the Unit” (pages 70 to 74).

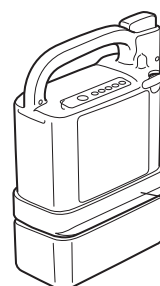
- (6) Fold the wheelchair.
If necessary, fold the wheelchair.





WARNING

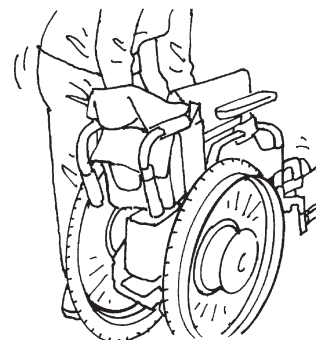
- Be sure to store the disconnected battery with the protective cap on it. Exposed contacts can cause short circuits and lead to a fire or battery rupture.



Protective cap

9

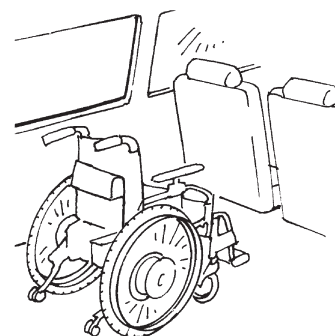
- (6) Load the wheelchair into the car.
Gently load the wheelchair by holding the frame portion with both hands.



- (7) Secure the wheelchair.
Secure the wheelchair to prevent it from moving or hitting any surrounding objects.

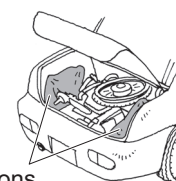
TIP When loading:

- This product uses precision electronic parts. Do not apply sharp impact.
- Load it upright whenever possible.



TIP Securing the Wheelchair

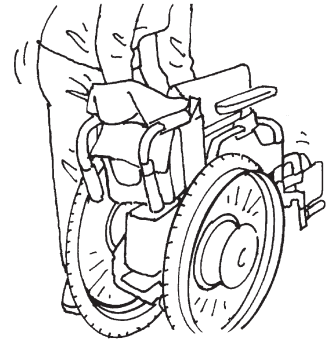
- Strap it down with a belt, etc., or place a shock absorbing material under and around the wheelchair.



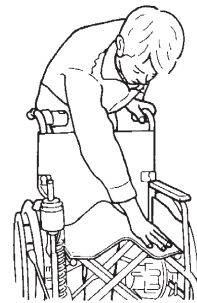
Cushions

9.2. Unloading the Wheelchair from a Car

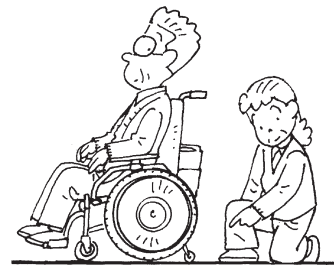
- (1) Unload the wheelchair from the car.



- (2) Reattach the removed parts, detached units back to their original places, and unfold the wheelchair.



- (3) Check that the parking brakes are applied.
- (4) Check that the anti-tip device is in the correct position.



TIP When unloading:

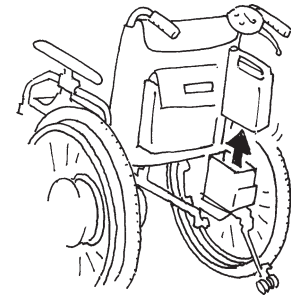
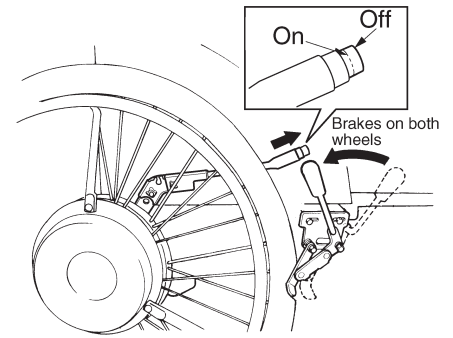
- This product uses precision electronic parts. Do not apply sharp impact.

WARNING

- If the foot-leg supports are removed or foldable parts are folded, be sure to place them in their original positions before operating the wheelchair. Never operate the wheelchair with parts removed or folded. You may injure yourself.
- If the anti-tip device is folded or retracted, be sure to place it in its original position and confirm that it is locked before operating the wheelchair. Never operate the wheelchair with the anti-tip device folded or retracted. You may injure yourself.

9.3. Storing the Wheelchair

- (1) Apply the parking brakes.
- (2) Turn off the power and remove the battery.
- (3) Store the wheelchair normal temperature indoors where there is less humidity.
- (4) To wipe off dirt or spots before storing, use a tightly wrung-out towel.



WARNING

- Be sure to remove the battery when not in use, so that its power will not turn on unexpectedly in storage.
- Be sure to store the disconnected battery with the protective cap on it. Exposed contacts can cause short circuits and lead to a fire or battery rupture.



Protective cap

Please refer to the Warnings in “1.5.15. Transporting and Storing the Wheelchair” on page 22 to 24.

9.4. Long-term Storing the Wheelchair (longer than 3 Months)

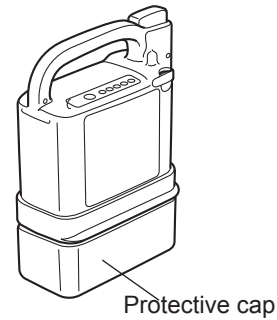
- (1) Please check the wheelchair service manual for instructions how to store your wheelchair for a long period of time.
- (2) Before storing E-Move for a long period of time, please
 - check the tire pressure. Please see page 84 for the values.
- (3) Before using your wheelchair and E-Move after long term storage, please
 - check the status of your wheelchair according to the wheelchair service manual
 - check the tire pressure. Please see page 84 for the values.
 - place the battery in position
 - check that all cables are undamaged and connected

TIP When storing the battery for a long period of time, see sections below, and observe the cautionary notes.

- For the nickel metal hydride battery “7.2. (3) Storing the battery”
- For the lithium ion battery “8.2. (3) Storing the battery”

! WARNING

- Be sure to remove the battery when not in use, so that its power will not turn on unexpectedly in storage.
- Be sure to store the disconnected battery with the protective cap on it. Exposed contacts can cause short circuits and lead to a fire or battery rupture.



Please refer to the Warnings in “1.5.15. Transporting and Storing the Wheelchair” on page 22 to 24.

9.5. Boarding an Airplane

Once your plane trip has been determined, inform your airline company in advance, that you will be using an electric wheelchair, and follow their instructions. At this time, provide the airline company with details of your wheelchair. In particular, see the specifications for the battery you are using, below:

- Nickel metal hydride battery (shown as “Ni-MH” on the label)
 - Model JWB2
 - Voltage 24 V
 - Capacity 6.7 Ah
 - Type Dry cell with a built-in microcomputer
- Lithium ion battery (shown as “Li-ion 00” on the label)
 - Model ESB1
 - Voltage 25 V
 - Capacity 11.8 Ah (280 Wh)
 - Type Dry cell with a built-in microcomputer

About the lithium ion battery

There may be restrictions in regard to carrying the lithium ion battery on-board, or checking-in as a baggage. Be sure to consult with the airline company in advance.

10. Using the Wheelchair more Comfortably

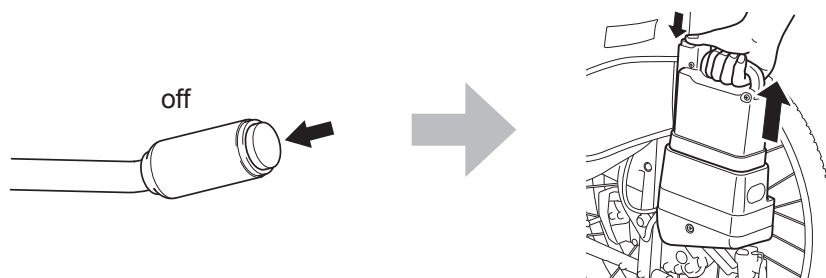
The E-Move has a variety of features to improve its controllability. Use these features according to your purposes. For information on the wheelchair frame to which E-Move is attached, see the owner's manual from the frame manufacturer.

10.1. Removing and Installing the Unit

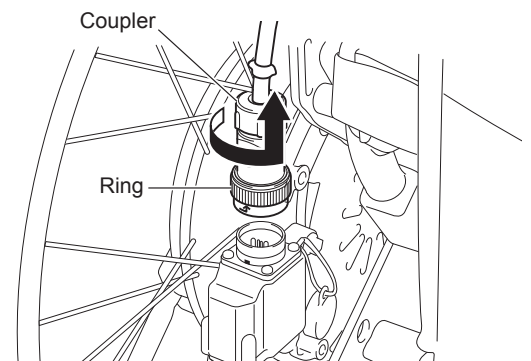
The power units of the E-Move can be removed from the frame when replacing the current wheels with manual wheels or when transporting the wheelchair.

(1) Removing the power units from the frame

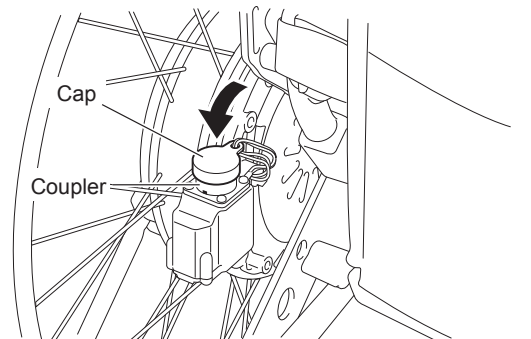
- 1 Turn off the power and remove the battery. Put the protective cap on the removed battery.



- 2 While turning the coupler ring at cable tip CCW and pull out it upward.

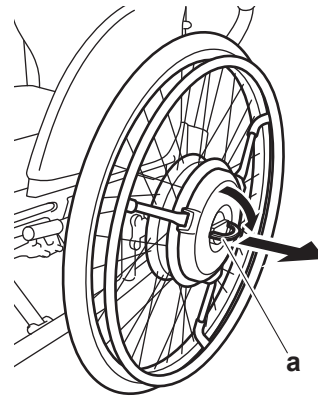


- 3 Install the cap not to make dirt and water getting into the coupler.



- TIP**
- A coupler is located at left wheel in case of battery integrated type.
 - Couplers are located at left/ right wheels in case of battery separated type.

- 4 Place the wheelchair so that it will not become unstable when the power units are removed.
- 5 Release the parking brakes.
- 6 While holding the hub with hand and pulling the middle of the center ring “a” with your fingers, pull out each power unit using both hands.

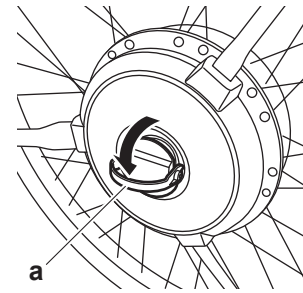


NOTICE

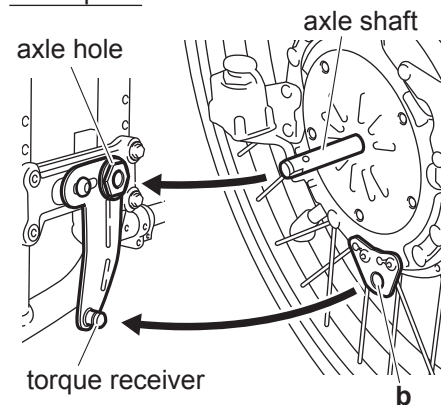
- **Install/ remove a wheel with battery housing while holding the battery housing not to be turned. Otherwise, the wheel turns while installation/ removing which leads to the damage of switch and battery housing part.**

(2) Installing the power units to the frame

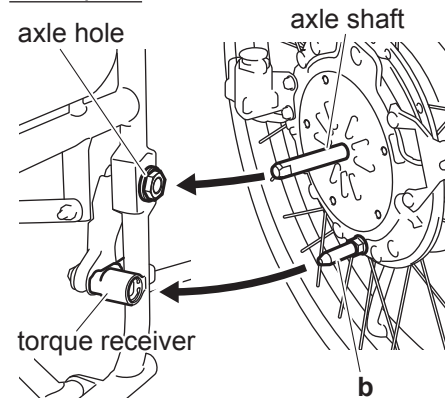
- 1 Place the wheelchair so that it will not become unstable.
- 2 While pulling the middle of the center ring "a" with your fingers, install each power unit using both hands so that the torque stopper axle "b" fits into the torque-receiving component.



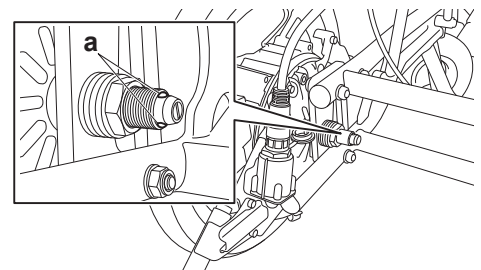
• Sample 1



• Sample 2



- 3 Push in each power unit completely. Check to ensure that the two balls "a" on the end of the axle can be seen completely.



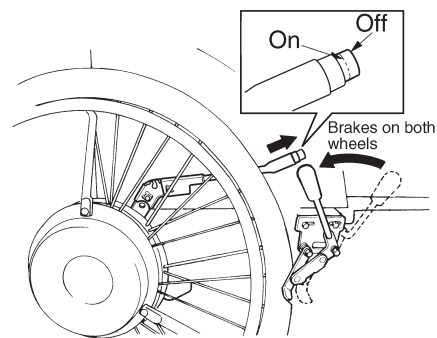
- 4 Pull each power unit to ensure that it will not come off.



WARNING

- There may be the risk of wheel coming off if wheel mounting is imperfect. Check that the wheel not coming off before use.

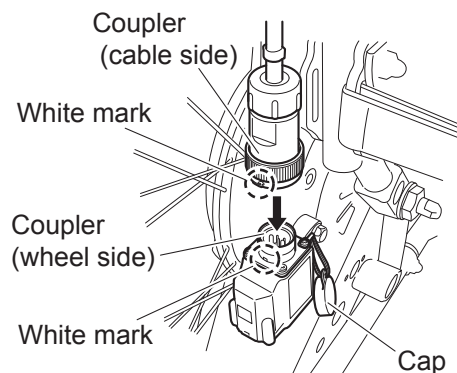
- Place the power units in their normal position, and then apply the parking brakes.



- In the case of quick connector

Align white colored arrow mark on the cable side coupler with another white mark printed on the wheel side coupler (left or right wheel), insert the coupler until you hear clicking noise.

- In the case of quick connector

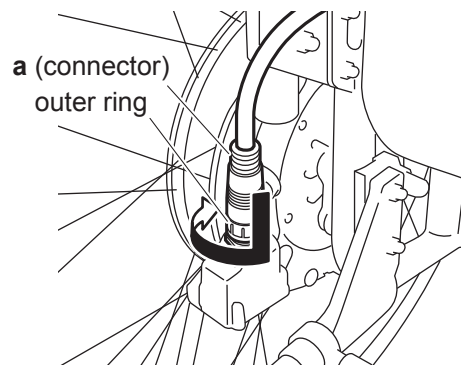
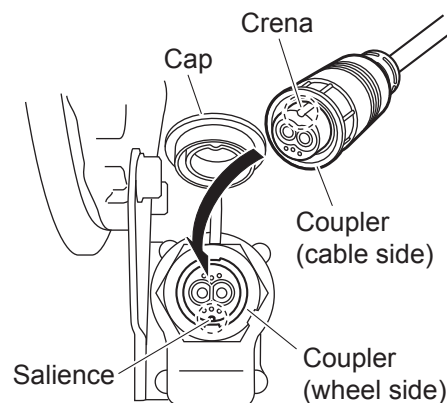


In the case of ring-lock connector

Insert the cable side coupler into the coupler on the left wheel by matching the white color mark (crena) on the cable side coupler to the salience of the left wheel side coupler.

And then turn the ring to secure the connector.

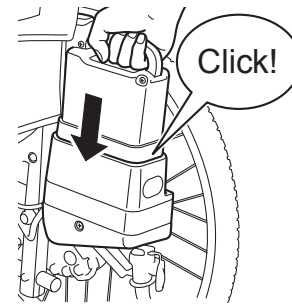
- In the case of ring-lock connector



NOTICE

In the case of battery built-in seat, special attention is need to assemble right side wheel to the frame. When you assemble and or disassemble left side wheel, hold the battery installing section so that the wheel does not make free rotation. Otherwise it may rotate during assembling/disassembling action and may cause damages to switches and or battery installing section.

- 7 Install the battery.

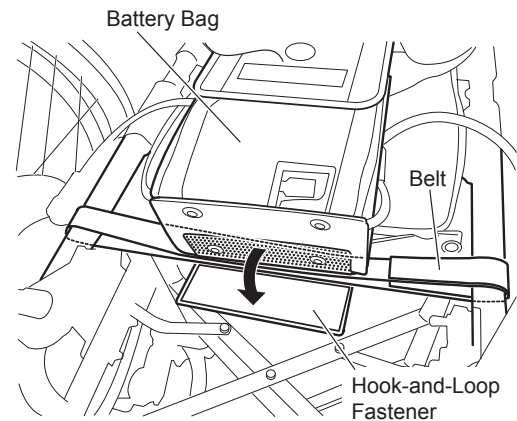


WARNING

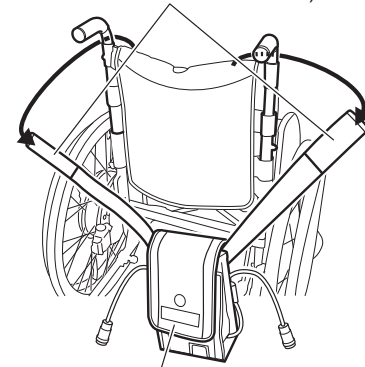
- When a person is sitting in the wheelchair, do not remove or install the wheels. The person riding in the wheelchair or people around the wheelchair may get injured.
- After the power units are installed to the frame, be sure to check that the balls on the end of each axle can be seen, and that the units will not come off if pulled. If the axles are not secured, the axles could suddenly come off while the wheelchair is traveling and the wheelchair could tip over, causing serious injury.

10.2. How to Remove Battery Bag of E-Move (Battery Separated Type)

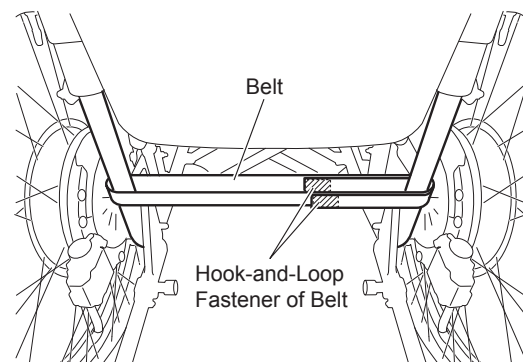
- (1) Remove the battery. Refer to [3.4.2 Remove the Battery] for details.
- (2) Remove the coupler at cable tip and install a cap. Refer to [6.4.1 How to Remove Wheels] for details.
- (3) Remove the hook-and-loop fastener underneath of battery bag.
- (4) Remove the hook-and-loop fastener of battery bag band part and remove the battery bag.



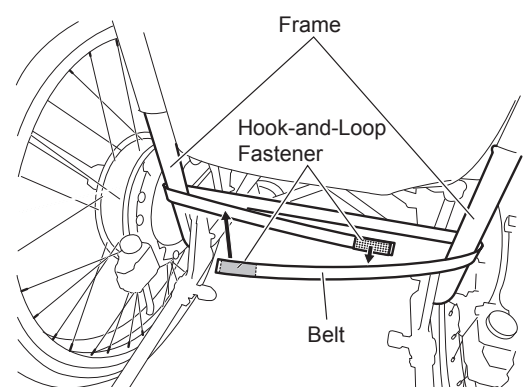
Band Part of Battery Bag
(Rear side is Hook-and-Loop
Fastener for entire surface)



- (5) Remove the hook-and-loop fastener of belt and remove the belt.



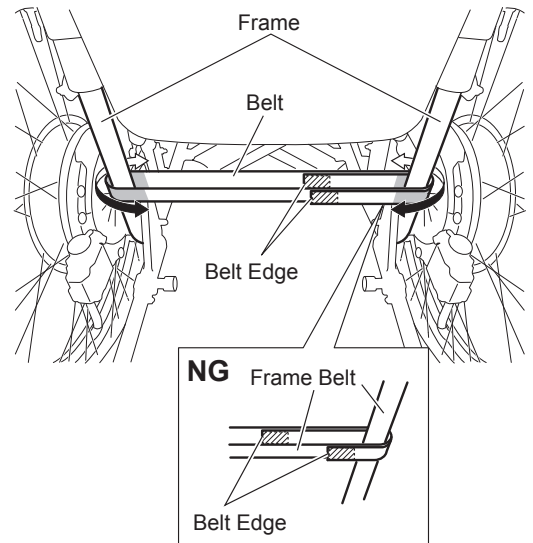
- (6) Feed the belt through the frame under back support and attach the hook-and-loop fastener.



NOTICE

- Attach the hook-and-loop fastener (male) at both edges of belt to entire surface.

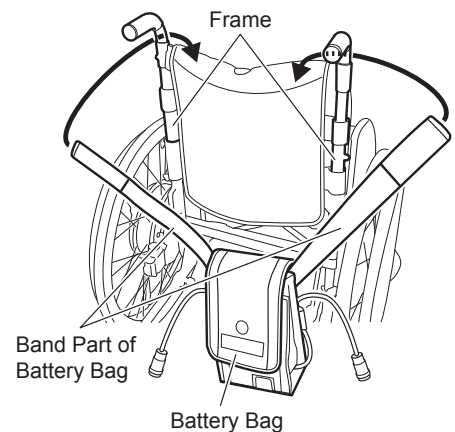
- (7) Slide the belt and adjust the two (2) belt edges to the vicinity of vehicle center as much as possible.



NOTICE

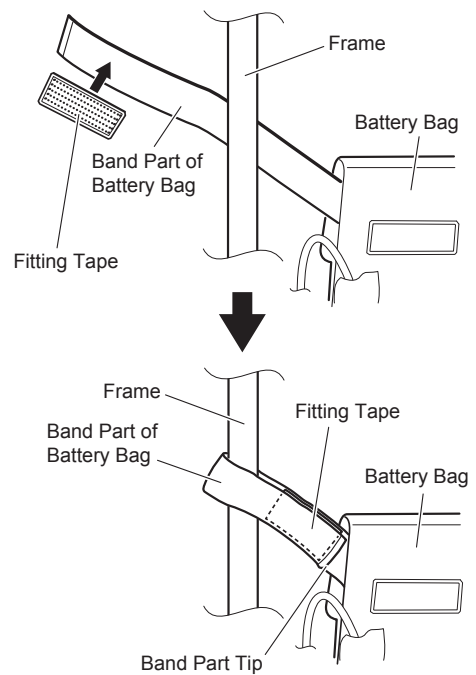
- Do not make the belt edge reaching in the vicinity of frame (Square Shape Part on DWG) not being spool up or touching to the moving part.
- Mount the belt without laxation or slackness. There may be the risk of battery bag coming off and spooling up into moving part.

- (8) Feed the band part of battery bag through upper side frame and fix the belt by using fitting tape (Hook-and-loop fastener of male at both sides). There are two (2) ways for fitting tape attaching methods as follows; Select the method adequate to the wheelchair you are using and attach the tape.



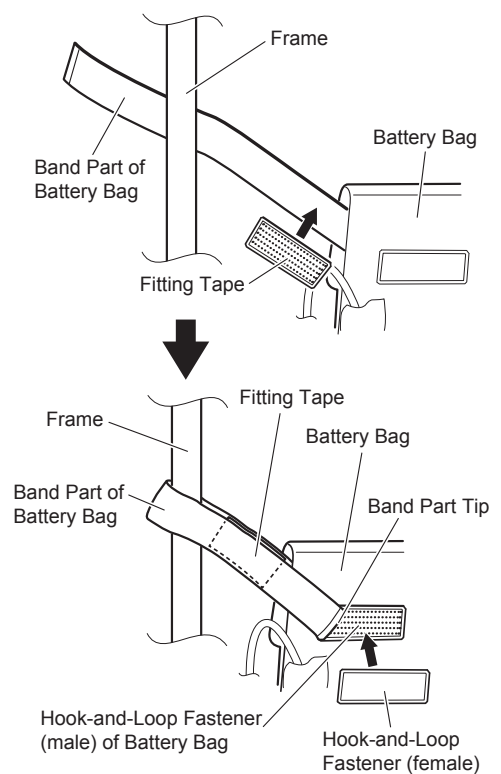
Case of Battery Bag Band Tip Part not Reaching to Battery Bag

- (9) Attach the fitting tape aligned to the band part tip of battery bag.
- (10) After feeding the band part of battery bag through the frame, attach the fitting tape of band edge part to the band.



Case of Battery Bag Band Tip Part Reaching to Battery Bag

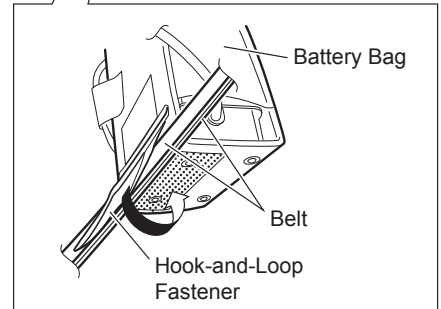
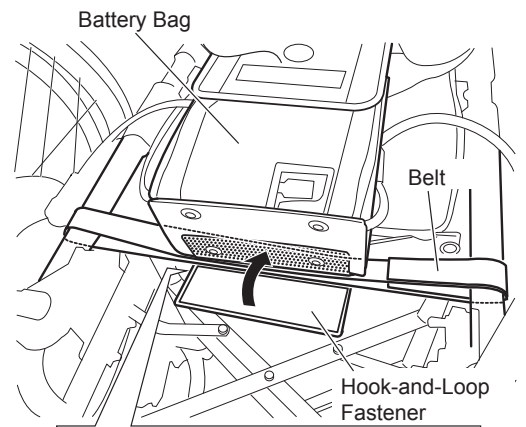
- (11) Attach the fitting tape aligned to the edge part of hook-and-loop fastener (female) at the base of battery bag band part.
- (12) After feeding the band part of battery bag through the frame, attach the fitting tape of band edge part to the band.
Remove the hook-and-loop fastener (female) attached to the battery bag once, and attach the surplus band part tip to the hook-and-loop fastener (male) of battery bag.
After attached the band, attach the hook-and-loop fastener (female) to the original position.



NOTICE

- Attach entire surface of fitting tape to the band part of battery bag. Otherwise, there may be the risk of battery bag coming off.
- Attach the band part of battery bag without laxation or slackness. Otherwise, there may be the risk of battery bag coming off and spooling up into moving part.

- (13) Remove the hook-and-loop fastener at the bottom surface of battery bag and feed both two (2) belts through.
- (14) Attach the hook-and-loop fastener and fix the battery bag.



10.3. Smart Tune Settings

The Function parameters and Drive parameters of E-Move can be changed to fit the usage. These changes are performed by Smart Tune software. Consult with your dealer on changing the settings.

(1) Function Parameters

1 Auto power off function

Selection of the turn off the power after a specified time of non- operation.
5 minutes (default), 10 minutes, 60 minutes or invalidate the auto-turn-off.

2 Buzzer sound

This function changes the buzzer sound on (default) and off. It is impossible to disable the alert sounds.

3 Switch brightness

This function changes the switch light brightness.

'Bright'(default), 'Starts bright and turns off', 'Starts bright and turns dark' or 'Starts bright and turns slightly dark'

4 Mode switch setting

Selection to use or not use the Mode switch

(2) Drive Parameters

The Drive Parameters such as assist power ratio, left/right balance, etc. can be adjusted.

1 Assist motor power

Selection of 0 – 100% of the hand input power.

2 Assist speed limit

Selection of 2 – 6 km/h of the assist top speed.

3 Left/right balance

Input/action sensibility selection. 0.6 – 2.6 left/right each

4 Straight/turn characteristics

Selection of 9 steps of turning characteristics.

5 Coasting distance

Selection of 9 steps, 0.1 – 2.0 times of the standard coasting distance.

6 Side slope assist

Selection of 7 steps of the side slope crossing assist level.



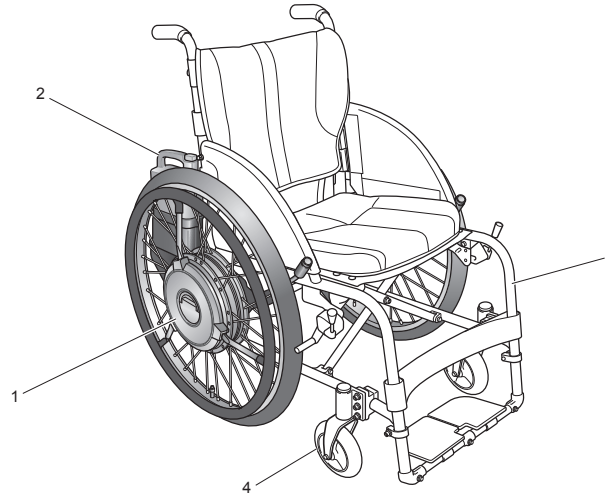
WARNING

- **When evaluating the need to change parameter settings, and choosing the actual changes, consult the guidance of experts such as physical therapists and occupational therapists at the dealer.**

11. Maintenance, Daily Check, Periodic Inspection

It is recommended that the E-Move be inspected periodically at the dealer. (Inspection is fee-based)

To ensure long-term durability, we recommend that you perform regular inspections every 12 months after initial use.



Sample Inspection Form

Inspection Item	Date of Inspection	Inspection Area	Checked	Corrective Measure
1 Unit		Noise, jammed object		
		Tire air pressure (6-10 Bar), wear, cracks, loose valve, cap		
		Handrim looseness, damage, harmful damage, burrs, sharp points, and so on		
		Spoke looseness, breakage		
		Torque stop tightening		
		Dust cover installation		
		Anti-tip device looseness, deformation, damage		
		Dirty terminals on battery seat		
2 Battery and charger		Wire connection looseness, damage		
		Loose bolts, damage, use condition, charging frequency, refresh status		
3 Frame (example) or (reference)		Deformation, damage, bolt looseness, harmful damage, burrs, sharp points, and so on		
		Folding function		
		Creaking sound		
		Footrest looseness		
		Parking brake effectiveness, wear		
4 Casters (example) or (reference)		Air pressure (for pneumatic tires)		
		Wear, cracks		
		Looseness, wobbles, noise		
		Twisted valve stem, cap (for pneumatic tires)		
5 Status of Battery Bag		No fray/ break/ damage on the bag		
		No biting of fray/ break/ damage/ foreign matters on the belt and hook-and-loop fastener at the cable retaining parts of bag.		
		No laxation/ slackness in upper/ lower belts		
		No biting by folding		
	No spool up or touching to the moving part			



WARNING

- Continuing to use the wheelchair with a problem in the wheelchair body or the wheels may cause damage to the wheelchair while traveling, and may result in a rollover or fall.

11.1. Maintenance

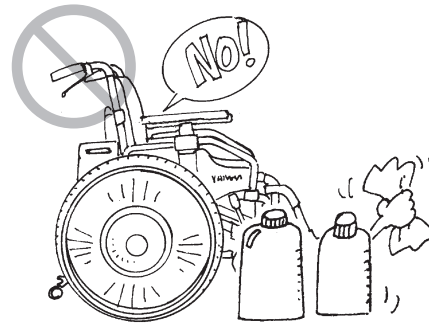
[Cleanup]

If the E-Move becomes dirty due to normal use, use a tightly wrung-out towel to wipe off any dirt. If the dirt is excessive, use a towel and neutral detergent to remove the dirt. After removing the dirt, be sure to wipe off any remaining detergent.

Do not wash by directly hosing it down with water. Also, do not wash using steam. The electronic devices can get damaged, which may lead to malfunction.



Do not clean with solvent such as gasoline or paint thinner. This may damage the painting and plastic parts.



When disinfecting the wheelchair, remove the E-Move from the frame, and then disinfect only the frame. Have the dealer remove the E-Move from the frame. To disinfect the E-Move, do not heat, pressurize, depressurize, supply electricity, irradiate with electromagnetic waves, immerse in a liquid, or apply a liquid cleaner or spray. Instead, wipe the E-Move using a towel and alcohol.

[Easy repairs]

When a repair work is needed, contact your dealership even if the concern was minor.

[Normal repairs]

If the parts are damaged or lost, immediately contact the dealer. Have the dealer replace the parts or repair the wheelchair.

For normal maintenance, repairs, or service, be sure to contact the dealer. The user should not repair or service the wheelchair, or remove, pack, and send the parts to request repairs. If the wheelchair is not repaired or assembled completely, the user or those around the user could be injured.

To perform repairs and service, the dealer uses the service manual, parts catalog, and other documentation. These items are not sold to the general public.

When requesting repairs, do not send the wheelchair directly. First, contact the dealer.

The estimated life of the E-Move is 5 years. Parts that are necessary for repairs will be available for 5 years after the production of the E-Move has ended.

In addition, a substitute wheelchair will not be provided during repairs or inspections.

You must pay for repairs that are not covered by the warranty.

11.2. Daily Checks

Perform the following checks every day before operating the wheelchair. For details, refer to “3.1. Inspecting the Wheelchair”.

- | | | |
|---|-----------------|--|
| 1 | Exterior | Visually check the components and ensure that they are not damaged. |
| 2 | Anti-tip device | Make that the anti-tip device is in the correct position and locked in place. |
| 3 | Rear tires | Make sure that there is tire depth, there are no cracks, and there is sufficient air pressure.
If the pressure is not enough, pump up to 450 kPa. |
| 4 | Parking brakes | Make sure that the parking brakes can stop the wheels from moving, and that they are installed securely to the frame. |
| 5 | Wheels | Make sure that the wheels are not deformed and the spokes are not broken. |
| 6 | Casters | Make sure that there is tire depth, and there are no cracks.
Make sure that the caster forks are not damaged.
Make that the nuts securing the tires are not loose. |
| 7 | Battery | Check the residual capacity. |

If any problems are found, have the dealer repair the wheelchair.

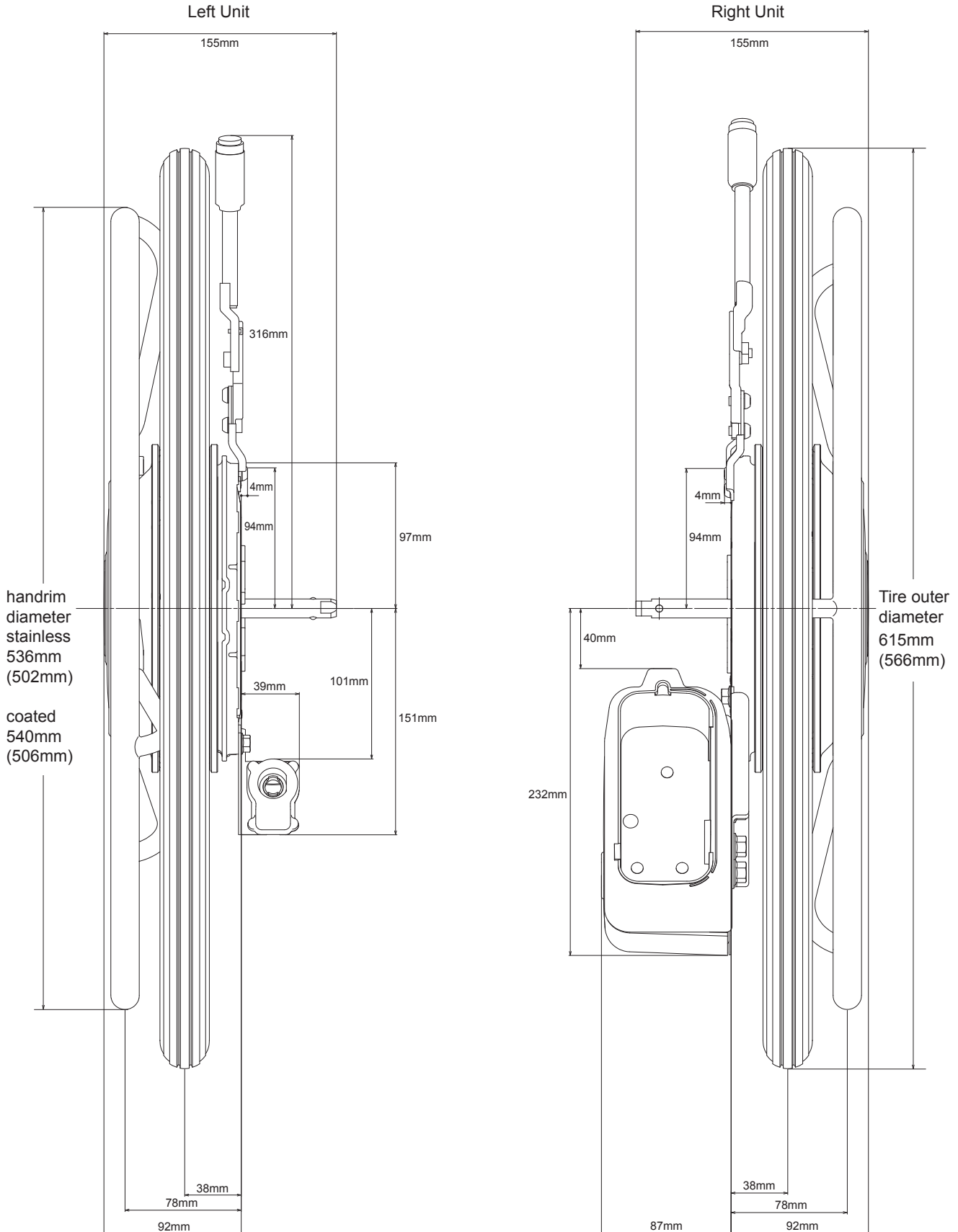
11.3 Quit to use E-Move, recycling

When you quit to use and dispose E-Move, contact your local government office first for recycling and follow their instructions. Or contact your dealer to recycle your used E-Move and its batteries.

12. Dimensions and Specifications

12.1 Dimensions

24 inch model dimensions. In parentheses 22 inch model dimensions.



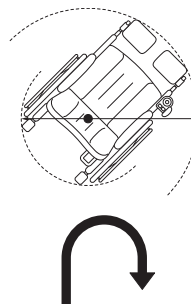
12.2 Specifications

Model			E-Move power assist unit for wheelchairs		
			Standard model	Separated battery bag model	
Weight	Total Weight	with battery	Ni-MH battery	17	17.5
			Li-ion battery	18	18.5
		without battery		14	14.5
	Part Weight		Right unit	7.5	6.7
			Li-ion battery	6.5	6.7
			Battery bag	-	1.1
			Ni-MH battery	3	
	Li-ion battery	4			
Tire size			24"		
Rear Tire	Tire specifications		25-540 (24x1)		
	Recommended air pressure		6-10 Bar		
Drive motor			AC servomotor 24V 110W x 2 (30minutes rated output)		
Drive system			Rear wheel direct drive		
Brake system			Motor generative brake		
Steering system			Handrim operation		
Control system			Microprocessor control		
Minimum Reversing Space width			Varies depending on the wheelchair the unit is installed on. Pivoting on a spot is possible. *1		
Rated slope			6 degree		
Maximum width of ditches that can be gone over			Varies depending on the wheelchair the unit is installed on and the caster size.		
Operating conditions	environment		Inside and outside		
	temperature		0°C to 35°C		
	humidity		No condensation		
IEC waterproof standard			IPX4 (resistance against splashing water)		
Load capacity (including the rider, luggage, and frame weight)			130 kg *2		
Travel range	Continuous travel range (in accordance with Yamaha spec)	with Ni-MH battery (JWB2)	18 km *3		
		with Li-ion battery (ESB1)	30 km *3		

*1 Minimum Reversing Space is the space required to pivot on a spot and is determined by the wheelchair frame.

12

Minimum Reversing Space Width



*2 The value is the load capacity for the E-Move. When the wheelchair is completely assembled, the total weight of the rider and luggage must not exceed the load capacity of the wheelchair frame.

If the wheelchair is operated continuously with a load that exceeds this value, the product could malfunction or be damaged, or its life could be shortened.

*3 The travel range varies depending on the conditions of the road surface (travel over curbs, on slopes, and so on) and may be shorter than this value.

Battery and Charger		Nickel-Metal Hydride	Lithium-ion
Battery	Model	JWB2	ESB1
	Type	Rechargeable Dry Battery with built in microprocessor	
	Nominal output voltage	24 V	25 V
	Rated output (5-hour rate)	6.7 Ah (160.8 Wh)	11.8 Ah (280 Wh)
Battery Charger	Model	JWC-2	ESC1
	Charging method	Automatic Charging controlled by the microprocessor	
	Rated output during charging	29 V · 2.6 A	29.2 V · 3 A
	Chargeable battery	JWB2 *4	ESB1 *4
	Charging time	Time for normal charging	2.5–3.5 hr
Time for refresh charging		3–13 hr	—

*4 The Ni-MH battery and Li-ion battery each have a dedicated charger. The dedicated chargers are not interchangeable.

13. Troubleshooting, Repairs, Warranty

If you have flat tires, contact your dealer. The tire structure of E-Move is same to the bicycle tires. Generally bicycle shops can repair the flat tires.

13.1. Before Requesting Repairs

Check the troubleshooting table below.

When Operating the Wheelchair

Problem	Warning lamp	Buzzer	Check Point	What To Do
The wheelchair does not start moving, or stops while traveling.		Beeps (Pi —)	Has the battery run down? Do you use a lithium ion battery, and are you operating the wheelchair in an external air temperature below freezing point, or in the scorching heat of summer? Additionally, was the wheelchair stored in a place where the external air temperature dropped below freezing point, or where the temperature become hot, such as inside a car?	Charge the battery. Use or store the wheelchair in an environment with appropriate external air temperature.
	Blinking 5 times	Beeps (Pi —)	Has the motor overheated as a result of abusive riding?	Turn off the power. Wait a while before resuming the ride.
	Blinking 3 times	Beeps (Pi —)	Are you turning on the power while the handrim is shifted?	Bring the handrim to the neutral position, and then turn on the power.
			Has the power been turned off automatically by the auto power off mode?	Turn off the power, and then turn it back on.
			Is the battery properly inserted?	Insert the battery properly.
Unable to operate			Are the brakes engaged on the wheelchair?	Release the brakes.
Shortage of power			Has the battery deteriorated?	Replace with a new battery. For a nickel metal hydride battery, try refresh charging.
	Blinking	Beeps (Pi —) continuously	Is there a large load being applied while on a steep slope?	It will stop beeping once the load is reduced.
	Blinking	Beeps (Pi —) continuously	Is there a large load being applied, causing the motor to overheat? Is the ambient temperature low?	Lighten the load so that the motor will not overheat. Use the wheelchair in an environment with appropriate outside temperature.
Short travel range, Insufficient speed			Is the battery fully charged?	Replace with a new battery. For a nickel metal hydride batter, perform refresh charging.
			Is the ambient temperature low?	Use the wheelchair in an environment with appropriate outside temperature.
			Is the wheelchair carrying heavy loads or driving uphill?	Heavy loads tend to shorten the travel range.
			Is the assist power parameter set to a low setting?	Contact the dealer to adjust the setting.
Sluggish manual travel			Is the air pressure of the tires too low?	Inflate the tires.
			Are the brakes engaged on the wheelchair?	Release the brakes.
Abnormal vibration or noise			Is the area where the axle is mounted loose?	Tighten it or contact the dealer.
			Is there noise coming from the drive unit?	Contact the dealer.
			Is the wheelchair frame or front casters wobbling?	Contact the dealer.

When Charging (Ni-MH Nickel Metal Hydride Battery)

Problem	Lamp on Charger	Lamp on Battery	Check Point	What To Do
	Charge Refresh	Residual capacity indicator		
Will not charge	Charge lamp (green) and refresh lamp (orange) are flashing alternately.	All residual capacity indicator lamps are off.	Is the battery fuse blown?	Contact your dealer.
			Will another battery accept a charge? (If you have a spare battery)	Contact your dealer.
	Charge lamp (green) and refresh lamp (orange) both off	All residual capacity indicator lamps are off.	Is the power cord connected?	Connect the power cord to a power source.
			Will another battery accept a charge? (If you have a spare battery)	Contact your dealer.
Prolonged charge standby	Charge lamp (green) is flashing	Residual capacity indicator lamps are lit	Is the battery temperature appropriate?	Wait until it reaches an appropriate temperature.
			Is the ambient temperature appropriate?	Charge the battery in an environment with an appropriate temperature.
Takes too long to charge	Refresh lamp (orange) is on	Residual capacity indicator lamps are lit, and then turned off successively	Are you refresh charging the battery?	The battery is being discharged. Refresh charging will take 3 to 13 hours.
Stops charging halfway	Charge lamp (green) and refresh lamp (orange) both off	Residual capacity indicator lamps are lighted only halfway	Is the temperature of the battery high?	After the battery temperature has been cool, try charging again.
After charging is completed, pressing the indicator switch on the battery to check the lighting condition of the lamps does not light up any capacity indicator lamp.	Charge lamp (green) and refresh lamp (orange) both off	Not all 5 residual capacity indicator lamps are lit.	Check the number of times or days you have used the battery.	After the battery has cooled down, try charging again. If the symptom does not change, the battery is deteriorated. Replace with a new battery.
The charger emits a sound	Lamp display varies with the conditions.	Residual capacity indicator lamps are lit	Is there a sound of the cooling fan turning?	The charger is being cooled. The fan may turn or stop depending on the condition of the charger.
The charger gets unusually hot	Lamp display varies with the conditions.	Residual capacity indicator lamps are lit	Is there a sound of the cooling fan turning?	The charger temperature can get as high as 50°C, but this is normal as long as the cooling fan is operating. If the cooling fan is not operating, contact the nearest dealer.
The charger emits an odor	Lamp display varies with the conditions.	Residual capacity indicator lamps are lit	Does this occur immediately after you start using the charger?	The charger may emit an odor immediately after it is put to use, but the odor will disappear eventually. If the odor persists, stop using and contact the dealer.

When Charging (Li-ion 00 Lithium ion battery)

Problem	Lamp on Charger	Lamp on Battery	Check Point	What To Do
		Residual capacity indicator		
Will not charge	Red LED is lighted	Off		The battery may be malfunctioned. Contact your dealer.
	Red LED flashes	Off	Does the symptom persist after reconnecting the battery and the charger?	It could be possible that the charge plug was not smoothly connected. If the same phenomenon occurs after reconnecting with the battery, the battery may be malfunctioned. Contact your dealer.
	Off	Off	Is the power cord connected?	Connect the power cord to a power source.
Prolonged charge standby	Green LED flashes	Residual capacity indicator lamps are lit	Is the battery temperature appropriate?	Wait until it reaches an appropriate temperature.
	Green LED flashes	Residual capacity indicator lamps are lit	Is the ambient temperature appropriate?	Charge the battery in an environment with an appropriate temperature.
The charger emits a sound	Lamp display varies with the conditions.	Residual capacity indicator lamps are lit	Is there a sound of the cooling fan turning?	The charger is being cooled. The fan may turn or stop depending on the condition of the charger.
The charger gets unusually hot	Lamp display varies with the conditions.	Residual capacity indicator lamps are lit	Is there a sound of the cooling fan turning?	The charger temperature can get as high as 50°C, but this is normal as long as the cooling fan is operating. If the cooling fan is not operating, contact the nearest dealer.
The charger emits an odor	Lamp display varies with the conditions.	Residual capacity indicator lamps are lit	Does this occur immediately after you start using the charger?	The charger may emit an odor immediately after it is put to use, but the odor will disappear eventually. If the odor persists, stop using and contact the dealer.
Battery gets very hot	Lamp display varies with the conditions.	Residual capacity indicator lamps are lit		Immediately stop charging and contact the dealer.

13.2. Requesting Repairs and Inspections

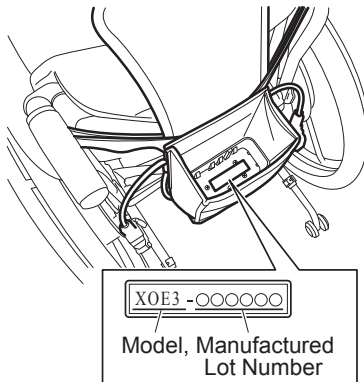
For your inspection, repair, and service needs, contact the dealer from which you purchased E-Move. When contacting the dealer, your product serial number may be required. Refer to below to check the serial number, and provide it to the dealer.

Sales dealer:

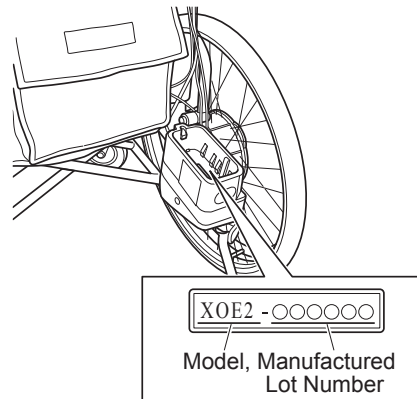
13.3. Serial Number Location

The serial number is shown on the bottom of the battery seat.

- In the case of Battery-bag model



- In the case of battery built-in seat model



13.4. Warranty

The warranty period for the E-Move is 2 years from the date of purchase.

During this warranty period, if there is a material or manufacturing defect in the E-Move that you have purchased, the defective parts will be replaced or repaired free of charge. The warranty covers the power unit and charger. Consumable parts, such as the battery, tires, and tubes, are excluded from this warranty.

This warranty does not cover malfunctions due to either the user's intentional misuse or negligent use, such as malfunctions that are caused by use other than that specified in this owner's manual. This warranty also does not cover malfunctions due to modification of the unit or continuous use under conditions other than the specified conditions, such as exceeding the maximum weight etc., regardless of the cause of the malfunction.

Scratches, dullness, and dirt on the surface of the product through normal use are not included in the warranty.

If warranty repairs are necessary, contact the dealer where you purchased the unit.

13.5. Safety Notice and Product Recall

Decon is keeping records of used components and assigned serial numbers. In the rare case of safety notice and/or product recall, Decon is able to contact the national distributor or final retailer. They will then be able to contact and inform the end user about any measures to be taken.

Note

Decon Wheel AB

Södra Ekeryd 115, SE-314 93 Hyltebruk

Tel: +46 (0)345 40880

Fax: +46 (0)345 40895

info@decon.se

www.decon.se

